



**EX-CELL KAISER**  
MANUFACTURING & DESIGN

*Outstanding Service. Better Ideas. Quality Solutions.*

## FALL/WINTER 2016 FEATURED PRODUCTS



[EX-CELL.COM](http://EX-CELL.COM)

COMPLETE PRODUCT SELECTION

WASTE | RECYCLING | HOSPITALITY | FACILITY MAINTENANCE | CUSTOM INNOVATIONS



## WELCOME TO ANOTHER EXCITING YEAR!

Since 1933, Ex-Cell Kaiser has been a premier manufacturer of products for public spaces. We are your source for solutions in recycling and waste control, storage and organization, material handling and more.

Our commitment to Outstanding Service, Better Ideas and Quality Solutions that are Made in the USA is an integral part of who we are and what we believe in. Let our products and our actions speak for themselves.

Visit the "About Us" section of our website for complete details on our company, products and processes. The Ex-Cell team looks forward to working with you!

*Janet Kaiser*  
Owner & CEO



## Ex-Cell's Echelon Collection

brings our reputation for quality together with a refreshing, unique product family that can accommodate virtually any public space environment.

The Echelon Product line has been extended to include two additional versions; the Echelon Slim and the Echelon Half-Hex collection.

The Echelon SLIM features a slimmer, more compact footprint and 34 gal. capacity in a single or dual stream unit.

The NEW Echelon HHX with its smooth 38° & 52° degree edges brings the concept of a half round unit to an entirely new level! Difficult to describe its uniqueness and beauty, impossible to ignore. The Echelon HHX is ideal for convention centers and hotels. Our Ash/Trash versions are a real JACKPOT for gaming as well!

With these product additions, the Echelon Product line is truly a collection that can serve the different needs of a facility, while maintaining a consistent look.



ECH-HHX A/T COMBO SS/BL





# Echelon Collection



ECH2-1E SS/BL



ECH3-2R SS/BL

The largest capacity Echelon units feature 75 & 70 gal. capacity, 3 or 2 stream units. For indoors or out, locking front doors offer quick access to leakproof, rigid plastic liners for easy serviceability.

## Indoor Echelon

Item Number	Description
ECH2-1E SS/BL	Indoor receptacle w/ trash & co-mingle openings
ECH2-2TR SS/BL	Indoor receptacle w/ 2 trash openings
ECH3-2R SS/BL	Indoor receptacle w/ (2) co-mingle & trash opening
ECH3-2TR SS/BL	Indoor receptacle w/ (2) trash & co-mingle opening

Dimensions: 45" L x 18.5" W x 40.75" H 165 lbs  
 ECH2 - 70 gal | ECH3 - 75 gal

## Outdoor Echelon

Item Number	Description
ECHX2-1E SS/BL	Outdoor receptacle w/ trash & co-mingle openings
ECHX2-2TR SS/BL	Outdoor receptacle w/ 2 trash openings
ECHX3-2R SS/BL	Outdoor receptacle w/ (2) co-mingle & trash opening
ECHX3-2TR SS/BL	Outdoor receptacle w/ (2) trash & co-mingle opening

Dimensions: 47.5" L x 22" W x 53" H 215 lbs (With Canopy)  
 ECHX2 - 70 gal | ECHX3 - 75 gal





ECH-SL TR SS/BL

ECH-SL COMBO SS/BL

## Echelon Slim Collection

Item Number	Description
ECH-SL 2TR SS/BL	Indoor receptacle w/ 2 trash openings
ECH-SL COMBO SS/BL	Indoor receptacle w/ trash & co-mingle openings
ECH-SL R SS/BL	Indoor receptacle w/ co-mingle opening
ECH-SL TR SS/BL	Indoor receptacle w/ trash opening

Dimensions: 26.75" L x 18.5" W x 39" H 91 lbs (Single Stream) 35 gal  
 Dimensions: 26.75" L x 18.5" W x 40" H 96 lbs (Double Stream) 34 gal



Satin stainless steel bodies with black anodized aluminum trim and high end aluminum graphics create a clean, contemporary collection in varying shapes and capacities.



ECH-HHX COMBO SS/BL

ECH-HHX TR SS/BL

## Echelon Half-Hex Collection

Item Number	Description
ECH-HHX 2TR SS/BL	Indoor receptacle w/ 2 trash openings
ECH-HHX COMBO SS/BL	Indoor receptacle w/ trash & co-mingle openings
ECH-HHX R SS/BL	Indoor receptacle w/ co-mingle opening
ECH-HHX TR SS/BL	Indoor receptacle w/ trash openings
ECH-HHX A/T COMBO SS/BL	Indoor receptacle w/ trash & co-mingle openings with ash cup
ECH-HHX A/T TR SS/BL	Indoor receptacle w/ trash openings with ash cup

Dimensions: 31" L x 18" W x 34.25" H ~90 lbs (Single Stream) 32 gal  
 Dimensions: 31" L x 18" W x 34.25" H ~90 lbs (Double Stream) 32 gal



# Kaleidoscope Collection



RC-KD17-P EGX / RC-KD36-T BLX / RC-KDSQ-C RBX / RC-KDHR-PL RYX

The Kaleidoscope Collection features fingerprint proof textured bodies and easy-to-read, pre-applied white decals on 2 sides. The lids are removable for easy serviceability and come in a variety of waste stream openings.



RC-KDSQ-C EGX

RC-KDHR-T RBX

## Kaleidoscope Collection

Root Item Number	Standard Decal/Lid Options	Colors
RC-KDSQ	C (Cans/Bottles with 5" circle lid) P (Paper with slot opening lid) PL (Plastic with 5" circle lid)	BLK EGX RBX RYX
RC-KDHR	R (Recyclables with half round lid) T (Trash with half round lid)	

Dimensions: 15.75" L x 15.75" W x 30" H 38 lbs 24 gal  
Dimensions: 15.75" L x 7.875" W x 30" H 23 lbs 8 gal



# Fully Customizable



Like a real Kaleidoscope, the extensive and diverse collection of options in these recyclers offer consumers the ability to establish their Recycling Centers in a variety of colors and patterns to meet their needs.



RC-KD17-P RYX

RC-KD36-T BLK

## Kaleidoscope XL Collection

Root Item Number	Standard Decal/Lid Options	Colors
RC-KD17	C (Cans/Bottles with co-mingle lid) P (Paper with co-mingle lid)	BLK EGX
RC-KD36	PL (Plastic with co-mingle lid) R (Recyclables with co-mingle lid) T (Trash with 10" square opening lid)	RBX RYX

Dimensions: 15.75" L x 15.75" W x 30" H 38 lbs 17 gal  
Dimensions: 18.25" L x 18.25" W x 35.5" H 48 lbs 36 gal



XL Series  
Only

# Metro Collection



RC-MTR-3 HCPR



RC-MTR-1 SS / RC-MTR-3 SS / RC-MTR-2 SS

One of our best sellers, the Metro Collection features an 18 gal. square liner per waste stream. The Metro comes in single, double or triple stream units. Standard colors include a Hammered Copper body with a Sunburst Gold trim or Stainless Steel body with Black Texture trim (custom colors are available).

Each Metro includes a set of interchangeable steel tops, and vinyl graphics kit as show below. RC-MTR-CASTERS sold separately.

**CANS/BOTTLES**  
**COMPOST**  
**PAPER**  
**PLASTIC**  
**RECYCLE**  
**TRASH**  
**WASTE**



## Metro Collection

Root Item Number	Description	Finishes
RC-MTR-1	Indoor Receptacle	HCPR SS
RC-MTR-2		
RC-MTR-3		

Dimensions: 14" L x 14" W x 31" H 43 lbs 18 gal  
 Dimensions: 28" L x 14" W x 31" H 70 lbs 36 gal  
 Dimensions: 42" L x 14" W x 31" H 95 lbs 52 gal



To view our complete line of products and for more information, visit us at [ex-cell.com](http://ex-cell.com)





RC-MTR-34 COMBO HCPR / RC-MTR-34 TR / RC-MTR-34 R

## Metro Companion XL Collection

Root Item Number	Description
RC-MTR-34	COMBO HCPR (Co-mingle & Trash opening lid) R (Co-mingle opening lid) TR (8" square opening lid)

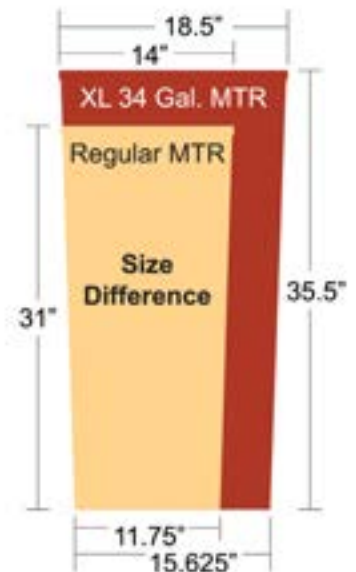
Dimensions: 18.5" L x 18.5" W x 35.5" H 64 lbs 34 gal



The Metro Companion XL features a 34 gal. capacity square liner (COMBO HCPR has 2 – 17 gal. liners). The lid options for the XL are; Trash and recycle, recycle only or trash only.

## Commitment to Sustainability

- All packaging for Ex-Cell products contains between 30-40% recycled material content.
- EXL-COAT™ Powder Coated Finish contains no volatile organic compounds (VOC's), emits negligible emissions into the air and any overspray is 98% reclaimable.
- All Ex-Cell steel products contain over 30% recycled steel.
- All Ex-Cell aluminum products contain up to 70% recycled aluminum.
- All Ex-Cell stainless steel products contain an average recycled content of approximately 60%.
- All Ex-Cell steel, aluminum and stainless steel products are 100% post consumer recyclable.



# Celebrity Collection



RC-2234-2 COMBO SS



RC-2234-2 COMBO SS (Open)

The Celebrity Collection features a brushed stainless steel body with a large capacity round liner. The RC-2234 SS features a fingerprint proof Recycle Blue funnel lid with 6" opening.

Root Item Number	Description
RC-2234-2 COMBO SS	Indoor Receptacle
RC-2234F SS	

Dimensions: 22" dia x 34.25" H 71 lbs Two 44 gal

Dimensions: 22" dia x 34.25" H 64 lbs 45 gal



RC-2234F SS DECALS



RC-2234F SS

# Venue Collection



VCT-33 PERF SS / VCR-33 PERF SS



VCR-33 PERF SS

Unlike similar receptacles, the Venue Collection features laser cut RECYCLE or TRASH (not decals). The 33 gal. capacity round units feature color coordinated liners and full wrap-around rubber gasket on the bottom, which protects unit and floor. The lid is textured with an 8" opening.

Root Item Number	Description
VCR-33 PERF SS	Indoor Receptacle
VCT-33 PERF SS	

Dimensions: 18.25" dia 32" H 41 lbs 33 gal



# Sanitizing Wipe Receptacles



SW-DSP-01 SS / SW-1528 TWL SS BLK



SW-DSP-01 SS (wipes not included)

This stainless steel unit compliments any environment with an elegant design and easy dispensing of sanitary wipes. Accommodates most bagged center pull rows of wipes up to 9.5in in diameter.

A flat top lid with a 2" diameter opening lifts off easily to refill or replace wipes. The unit also integrates a 5" diameter trash opening on side of unit for sanitary wipes and disposable use.



SW-1528 TWL SS BLK

Root Item Number	Description
SW-DSP-01 SS	Indoor Receptacle
SW-1528 TWL SS BLK	

Dimensions: 10" dia x 28" H 11 lbs 3 gal

Dimensions: 15" dia x 28" H 30 lbs 18 gal





# Premier Collection



WR-33F



WR-2234F SS INGX

The Premier Series is a 33 gal. capacity unit with a round liner. This popular unit is available in six standard colors and has a brushed stainless steel funnel top with 8" diameter waste opening. Heavy duty feet protect unit and floor surfaces.

The Premier XL is a similar, yet larger version of the premier series. The XL series features a 45 gal. capacity round liner. The body is brushed stainless steel and the top is a fingerprint proof textured finish funnel with 12" waste opening. Feet protect unit and floor surfaces.

Root Item Number	Description	Finishes
WR-33F	Indoor Receptacle	BLX BRX BURX HGX INGX S/S

Dimensions: 18.25" dia x 32" H 56 lbs 33 gal

Root Item Number	Description	Lid Finishes
WR-2234F SS	Indoor Receptacle	BLX BRX BURX HGX INGX

Dimensions: 22" dia x 35" H 64 lbs 45 gal



# International Collection



INT1528 T-8 SS BLX



INT1528 T-8 BLK SS / INT1531 S-6 SS INGX

International Collection - a series of color coordinated 18 gallon receptacles available in powder coated steel or stainless/powder coated versions to complete and compliment any public space.

View all versions and combinations at [www.ex-cell.com](http://www.ex-cell.com)

Root Item Number	Description	Lid Finishes
INT1528 T-8 SS	Indoor Receptacle with flat top and stainless steel body	BLX BRX BURX HGX INGX
INT1531 D-6 SS	Indoor Receptacle with dome top	

Dimensions: 15" dia x 28" H 30 lbs 18 gal  
 Dimensions: 15" dia x 31" H 26 lbs 18 gal

Root Item Number	Description	Body Finishes
INT1528 T-8	Indoor Receptacles with stainless steel flat top	BLK/SS COF/SS HGR/SS ING/SS

Dimensions: 15" dia x 28" H 30 lbs 18 gal





RC-1528-3 SS

RC-1528-3 RBL/BLK

## Smiley Collection

Root Item Number	Description	Finishes
RC-1528-3	Indoor 3 Stream Recycling Receptacle	RBL/BLK SS

Dimensions: 15" dia 28" H 30 lbs (Stainless Steel unit 33 lbs) 14 gal

3

The Smiley is a 14 gal. total capacity unit. This model combines 3 waste streams into a single unit. Lid features silk screened graphics on openings.



RC-1531 D-6 SS

## Stainless Steel Recycler

Root Item Number	Description	Lid Finishes
RC-1531 D-6 SS	Indoor Receptacle with Dome Top	BLX BRX BURX HGX INGX

Dimensions: 15" dia x 31" H 27 lbs 18 gal



The Stainless Steel Recycler contains an 18 gal. capacity round liner. The body is brushed stainless steel with a fingerprint proof textured café style lid with a 6" opening. A black decal kit is included for Paper, Cans, Plastic and Glass.

# Clean Grid EXL



RGU-2036 C RBL



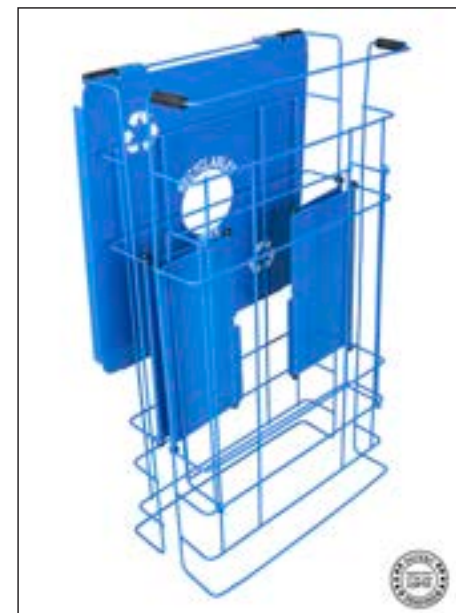
RGU-2036 T BLK

The Clean Grid EXL series is a fully collapsible 60 gal. square receptacle that folds for easy storage and UPS shipping. Choose from Trash or Recycling with coordinated openings, graphics and colors. The units include no slip gaskets to hold trash bags in place with a hinged lid.

Ideal for security conscious facilities such as: airports, train stations, sports facilities, government & office complexes and convention centers. The portability and easy storage of these units makes them an ideal solution for temporary locations or seasonal events where crowds gather.

Root Item Number	Description
RGU-2036 C RBL	Cans/Bottles with 5" circle opening lid
RGU-2036 T BLK	Trash with 10" square opening lid

Dimensions: 21" L x 22" W x 37" H 21 lbs 60 gal



RGU-2036 C RBL (Collapsed)



# Ellipse Collection



RGU-3645 ID GRPH/HMG



RGU-3645 SND/HCPX

The Ellipse collection is our largest capacity unit. Two 45 gal. square liners combine for a total capacity of 90 gal. The unit is a heavy-duty two-stream waste and recycling receptacle designed for high volume/high traffic applications. The Ellipse has front doors with a keyed locking mechanism to prevent unauthorized access.

Root Item Number	Description	Body & Trim Finishes
RGU-3645	Outdoor Receptacle with Canopy	SND/HCPX MAL/SEP RBL/HMG GRPH/HMG
RGU-3645 ID	Indoor Receptacle	

Dimensions: 48.5" L x 27.5" W x 52" H 200 lbs (With Canopy) Two 45 gal  
 Dimensions: 45" L x 23.5" W x 36.5" H 150 lbs Two 45 gal



RGU-3645 RBL/HMG

# Streetscape Collection



RC-SCD2633 RBL



SC-2633 BLK

Root Item Number	Description	Finishes
SC-2633	Outdoor Trash Receptacle	BLK COF HGR
RC-SC2633	Outdoor Recycling Receptacle	RBL
SCD-2633	Outdoor Receptacle w/ Canopy	BLK COF HGR
RC-SCD2633	Outdoor Recycling Receptacle w/ Canopy	RBL

Dimensions: 26" dia x 33" H 35 gal  
 Dimensions: 26" dia x 33" H 35 gal  
 Dimensions: 26" dia x 42" H 35 gal  
 Dimensions: 26" dia x 42" H 35 gal

Root Item Number	Description	Finishes
SCTP-40	Outdoor Receptacle w/ Door	BLK COF HGR
SCTP-40 D	Outdoor Receptacle w/ Door & Canopy	
SCTP-40 ND	Outdoor Receptacle	
SCTP-40 D ND	Outdoor Receptacle w/ Door & Canopy	

Dimensions: SCTP-40 23" dia x 36" H 45 gal  
 Dimensions: SCTP-40 D 26" dia x 54.5" 45 H gal  
 Dimensions: SCTP-40 ND 23" dia x 36" H 45 gal  
 Dimensions: SCTP-40 D ND 23" dia x 54.5" H 45 gal





SCTP-40 HGR



SCTP-40 D ND COF

The Streetscape is one of our most popular models. The classic, elegant and timeless design fits into every application.

The Classic features a 35 gal. liner.

SCTP-40 features a 45 gal. capacity liner and self-locking front door for easy liner removal.

SCTP-40 ND also features a 45 gal. capacity liner, only without the door.

**NO ONE in the industry  
can beat our lead times  
– our average time to  
ship though 2016 is 10  
days or less!**



# Landscape Series



WR-34R DM / RC-34R DM



RC-34R DM

The Landscape Series is a 34 gal. perforated waste receptacle with RECYCLE or TRASH laser cut into the body. Retainer bands hold trash bags in place and drainage holes help the unit last longer in harsh conditions. The unit also includes mounting holes and an in-ground mounting kit.

Root Item Number	Description
RC-34R DM CANS RBL	Outdoor Perforated Receptacle with three 5" circle openings
WR-34R DM BLACK	Outdoor Perforated Receptacle with three large openings

Dimensions: 18" dia 44" H 38 lbs 34 gal

Root Item Number	Description
RC-2441 CANS RBL	Outdoor Perforated Receptacle with three 5" circle openings
WR-2441 T BLK	Outdoor Perforated Receptacle with two openings

Dimensions: 24" dia 38" H 70 lbs 40 gal







WR-2441 T BLK



RC-2441 CANS RBL

The Landscape also is available in a larger, 40 gal. capacity version. The units are perforated and are available in a Cans/Bottles recycler or a matching Trash unit in black. Graphics make this unit easy to identify waste stream. Feet on the bottom keep the unit slightly elevated to allow for drainage. The unit also features mounting holes on the bottom of the unit and includes an in-ground mounting kit.

Root Item Number	Description	Finish
WR-10R	Outdoor Perforated Receptacle 10 gal	BLK COFFEE HGR
WR-10R CVR	Outdoor Perforated Receptacle with Lid	
WR-22R	Outdoor Perforated Receptacle 20 gal	
WR-34R	Outdoor Perforated Receptacle 34 gal	
WR690	Outdoor Perforated Receptacle 10 gal with drop bottom	

 Additional Landscape Series sizes no laser graphics

# Parks & Recreation Economy Series



WR-55 TDM PL GR

The Parks & Recreation Economy Series is a 55 gal. drum with several options of plastic lids available. Fits drums up to 24" diameter. The WR units feature a black gloss body and granite plastic domes. We also have several blue recycling plastic lids available. The lids are secured to the drums via straps.

Root Item Number	Lid Description	Finishes
RC-55	TDM - features lid with PUSH door	RBL
	TND - features pass through lid	
WR-55	TDM - features lid with PUSH door	PL GR
	TND - features pass through lid	

Dimensions: 23" dia x 44" H 38 lbs



RC-55 LID TDM RBL PL



RC-55 LID TND RBL PL



RC-55 CANS LID RBL



WR-55 LID TDM GR PL



WR-55 LID TND GR PL

# SRS Collection



SRS-1



SRS-1 HCCL

The Smokers Oasis Cigarette Receptacle is one of the best selling receptacles in the world. A market leader for decades, this unit has serviced thousands of facilities. It features a 4.5 gal. galvanized liner. The unit is constructed of all steel, which makes the Smokers Oasis fire safe. It will not burn or melt, unlike plastic models. The unit requires no sand or water. A Stainless Steel clasp enclosure secures top to base.

A padlock, cable and in-ground anchor are sold separately (SRS-LCK KIT).

Root Item Number	Description	Finishes
SRS-1	Cigarette Receptacle	BLK HCCL HCPR HGR SND

Dimensions: 16" dia x 39" H 18 lbs 4.5 gal



Padlock & cable location



SRS-LCK



# Cigarette Receptacles



63-BLX

The 63-BLX and 63-BG BLX are large capacity tabletop ashtrays. Self-closing, removable flip tops make these a favorite in the long term healthcare industry. Available with optional bridge (BG).



501 CPDR-FLIP

The 501 CPDR-FLIP is a floor standing large capacity ashtray. Another long term healthcare favorite with a retro vibe.

Item Number	Description
63-BLX	Tabletop steel black texture ashtray
63-BG BLX	Tabletop steel black texture ashtray with bridge

Dimensions: 8" dia x 4" H 3 lbs

Item Number	Description
501 CPDR-FLIP	Pedestal smoking urn, steel, chrome powder finish

Dimensions: 10" dia x 22" H 7 lbs

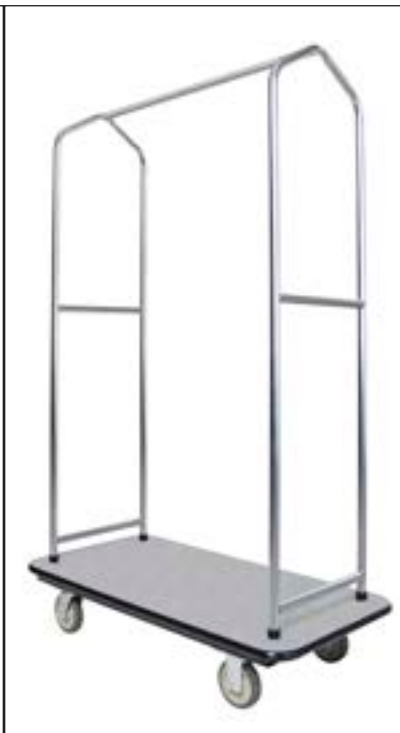




# Traveler's Series Bellman's Cart



780BB RED/PNU



780EC



780CHR BLU/PLY

The 780 Traveler's Series Complete Bellman's Carts have a frame constructed of sturdy 18 gauge, tubular steel. The hanger bar is Stainless Steel and the unit has a 1200 lb. carrying capacity. The cart rides on 8" pneumatic grey casters or 8" polyurethane grey casters, dependant on model.

The 780 EC Traveler's Series Economy Bellman's Carts also feature an 18 gauge, tubular steel frame and have a 1200 lb. carrying capacity. The cart rides on 5" poly grey casters. The unit comes with grey cart with a black bumper – no other options are available for the economy series.

Root Item Number	Description	Deck Colors
780BB	Brasstone 18 Gauge Tubular Steel Frame Black Bumper 8" Pneumatic Grey Casters	BLK/PNU BLU/PNU GRY/PNU RED/PNU
780CHR	Chrome 18 Gauge Tubular Steel Frame Black Bumper 8" Polyurethane Grey Casters	BLK/PLY BLU/PLY GRY/PLY RED/PLY
780SS	Stainless Steel 18 Gauge Tubular Frame Grey non-marring Bumper 8" Pneumatic Grey Casters	BLK/PNU BLU/PNU GRY/PNU RED/PNU
780EC	Chrome 18 Gauge Tubular Steel Frame Black Bumper Polyurethane Grey Casters	GRY

Dimensions: 43" L x 23" W x 71" H 85 lbs

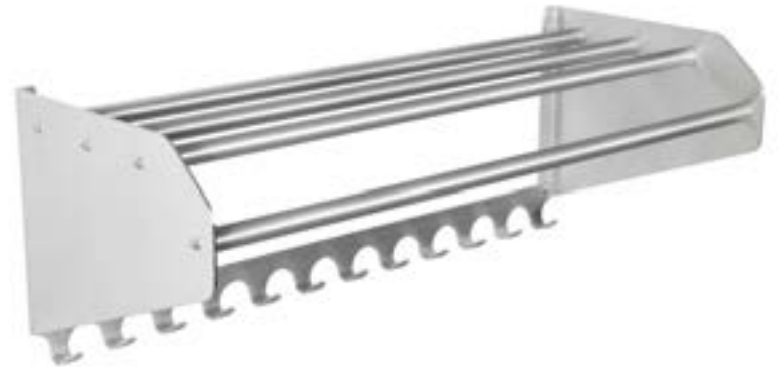
Dimensions: 43" L x 23" W x 68" H 66 lbs (780EC)



# Storage



700 SA



707-36AC

Durable plated double hooks on these wall mounted racks come with steel ball tips to prevent damage to garments. These wall mounted racks include mounting hardware and are available in 18" and 36" wide units. A 12 pack of individual hooks (701 CHR) is available.



703 SA

These units feature light-weight, corrosion resistant aluminum, 1" tubular construction with a top self. Each rack includes mounting hardware. An optional wall hook strip is available for additional storage (AC). The 707 is available in 36", 48", 60" or 72" lengths (the 60" and 72" units have a center bracket)

Root Item Number	Dimensions
700 SA	36" L x 3.75" W x 4" H 5 lbs
703 SA	18" L x 3.75" W x 4" H 3 lbs

701 CHR, Steel Garment Hooks, 12 per carton 6 lbs

Root Item Number	Length	Dimensions	Hook Code
707	36	36" L x 15" W x 11.75" H	A (without Garment Hooks)
	48	48" L x 15" W x 11.75" H	
	60	60" L x 15" W x 11.75" H	AC (With Garment Hooks)
	72	72" L x 15" W x 11.75" H	



# Storage



790-48 D GRY



790-48 D GRY Shown with optional boot rack and casters

Single (S) or Double (D) coat bar units constructed of sturdy, 18 gauge tubular steel. These garment racks are available in: 36", 48" or 60" widths. Boot racks and casters are available accessories and are sold separately.

## Optional Boot Rack & Casters



790-3B CASTERS



790-48R BLK (48" L)

Root Item Number	Rack Lengths & Dimensions	Coat Bars	Upright Finishes
790	36 (36" L x 20" W x 65" H Ship Wt. 33 lbs)	S (Single)	GRY
	48 (48" L x 20" W x 65" H Ship Wt. 35 lbs)		CHR
	60 (60" L x 20" W x 65" H Ship Wt. 37 lbs)	D (Double)	SS



# Mop & Broom Holder



333-6 WHT2



333-4 SS(Top) / 333-4 SFTY ORA (Bottom)

The 333-6 WHT2 Clincher Mop and Broom Holder is constructed of heavy duty steel and finished in white gloss. A 4" deep shelf and 5 hooks provide additional storage while 6 heavy duty spring activated rubber cams hold mops and brooms. Hardware is included for mounting.

The 333 Series Channel Mop & Broom Holders are constructed of heavy duty steel. Heavy duty spring activated rubber cams effectively store mops & brooms. This series is available in varying lengths and number of cams. Hardware is included for mounting.

Root Item Number	Description	Finish
333-4	4 spring activated Cams	SS
		SFTY ORA
		WHT2

Dimensions: 333-4: 24" L x 3" W x 4" H 3 lbs

Root Item Number	Description
333-6 WHT2	6 spring activated Cams

Dimensions: 333-6: 34" L x 5.5" W x 7.5" H 8 lbs





# Dustpans



306 STAINLESS



304 BLACK



306 STAINLESS

We offer a complete line of dustpans.

The 304 Dustpan features a tubular handle with ergonomic grip and self-closing lid.

The 305 Brass and 306 Stainless dustpans feature a high-polish elegant unit with self closing lid.

Root Item Number	Dimensions
304 BH	12" L x 10" W x 32.5" H Case of 6 Ship Wt. 25 lbs
304 BLACK	
305 BRASS	12" L x 10" W x 31 H 5 lbs
306 STAINLESS	





## **EX-CELL KAISER**

**MANUFACTURING & DESIGN**

Strong company history – we’ve been a family owned business since 1933

We stand behind our products – one year warranty

Short lead times/Made in the USA – we have the fastest lead times in the industry, with most products shipping under 10 days

Ability to customize – nearly all of our products are available in custom colors and branding. Email us to get a quote today

Constant product innovation – we are constantly listening to our customers and monitoring the marketplace to create new products that meet our customers changing needs

24/7 Customer Service through our website, [www.ex-cell.com](http://www.ex-cell.com) – you can obtain pricing, freight quotes and have access to all of our literature

## Catalog Legend



All receptacles are made of fire safe steel.



Indicates items with liners. All of our LLDPE plastic liner's base resin meets UL94 Flammability Standard.

Recycled Material Contents



Steel products



Stainless Steel products



Aluminum products



All products are ADA compliant.



Indicates item ships on a pallet, via truck.



Indicates items with security features.

## Standard Colors

All Ex-Cell powder-coated products are finished with UV-stable EXL-COAT™ powder coat finish for water and UV resistance and easy damp cloth clean-up.



**White Gloss**  
(WHT)



**Grey Gloss**  
(GRY)



**Silver Star**  
(SSTR)



**Hammered Charcoal**  
(HCCL)



**Charcoal Gloss**  
(CCL)



**Black Texture**  
(BLX)



**Black Satin**  
(BLS)



**Black Gloss**  
(BLK)



**Taupe Metallic**  
(TPMT)



**Camel Gloss**  
(BH)



**Sandstone**  
(SND)



**Brown Texture**  
(BRX)



**Hammered Copper**  
(HCPR)



**Coffee Gloss**  
(COF)



**Recycle Blue Gloss**  
(RBL)



**Recycle Blue Texture**  
(RBLX)



**Royal Texture**  
(RYX)



**Indigo Gloss**  
(ING)



**Indigo Texture**  
(INGX)



**Yellow Green**  
(YGR)



**Emerald Texture**  
(EGX)



**Hunter Green Gloss**  
(HGR)



**Hunter Green Texture**  
(HGX)



**Yellow**  
(YEL)



**Sunburst Gold**  
(SBG)



**Safety Orange**  
(SFTY-ORA)



**Red Gloss**  
(RED)

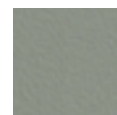


**Ruby Texture**  
(RBX)



**Burgundy Texture**  
(BURX)

Email [service@ex-cell.com](mailto:service@ex-cell.com)  
for special pricing and lead times.



**Hammered Grey**  
(HMG)



**Graphite**  
(GRPH)



**Sepia**  
(SEP)



**Malachite**  
(MAL)

*Outstanding Service. Better Ideas. Quality Solutions.*

## Create Your Account Online Now

If you have ordered from us in the past you may not know about the many service improvements we've made.

- All credit card payments are processed securely online
- Product information and prices can be accessed 24 hours a day
- Shipping addresses can be stored in your online account

Visit us at [www.Ex-Cell.com](http://www.Ex-Cell.com) to create your online account today!



## Ex-Cell.com is now Mobile Friendly!



## Customize Your Product

Ex-Cell recognizes what it takes to build your brand. Our focus is to help you promote. Whether it is through the simple use of colors by our in-house, environmentally friendly 5 stage powder coating process, or something bolder and stronger, such as custom graphics and logos, Ex-Cell can create a single unit or as many as you like!

Custom finishes & decals are available on most of our products!  
Contact a sales representative for details.



**EX-CELL KAISER**  
MANUFACTURING & DESIGN  
*Outstanding Service. Better Ideas. Quality Solutions.*



11240 Melrose Avenue • Franklin Park, IL 60131-1340  
847.451.0451 • [service@ex-cell.com](mailto:service@ex-cell.com)

