

# TOWNSTEEL ELECTRONIC





## Index

### 2000 Series - Standalone Keyless

XCE-2000 - Cylindrical Keypad	1
XME-2000 - Mortise Keypad	3
FCE-2000 - Cylindrical Proximity	5
FME-2000 - Mortise Proximity	7

### 3000 Series - Remote Open

XCE-3000 - Cylindrical Keypad	9
XME-3000 -Mortise Keypad	12
FCE-3000 - Cylindrical Proximity	15
FME-3000 - Mortise Proximity	18

### 4000/9000 Series - Classroom Intruder Lockdown

XCE-9000 - Cylindrical Keypad	21
XME-9000 - Mortise Keypad	24
FCE-4000 - Cylindrical Proximity	27
FME-4000 - Mortise Proximity	30

### XADB™ Series - Automatic Deadbolt

XADB™-2000 - ADB with Keypad	33
XADB™-3000 - ADB with Proximity Card	36

### MS Series - Electrified Mortise

MSS - Sectionel trim	39
MSE - Escutcheon trim	40
XMRX-A - Ligature Resistant Arch Trim	41
XMRX-K - Ligature Resistant Knob Trim	43

<b>XCDC Series - Electrified Cylindrical</b>	<b>47</b>
--	-----------

# XCE-2000

GRADE 1 ELECTRONIC CYLINDRICAL LOCKSET WITH KEYPAD

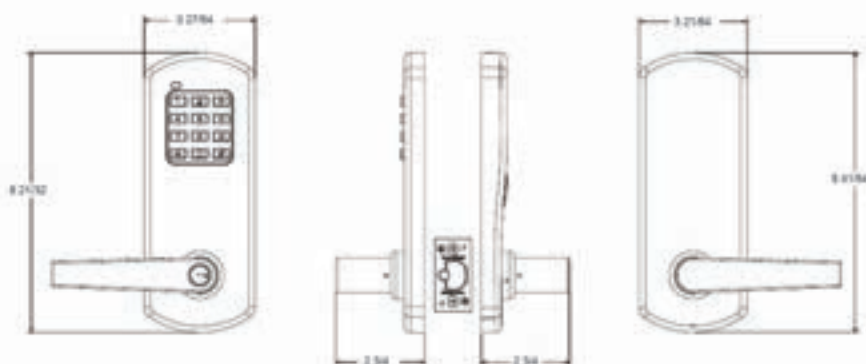


## Overview

The XCE-2000 is a standalone electronic function lock that provides keypad technology integrated with an ANSI Grade 1 heavy duty cylindrical lockset for greater security. Keypad technology simplifies the management of the system and provides ease of use. Maximum code capacity includes 1 master code, 10 manager codes, 90 user codes and 5 service codes. The XCE-2000 provides two remote control terminals; one for a fire alarm system and the other for remote release by push button. The XCE 2000 is quick and easy to program.

## Features

- Digital keypad cylindrical lock
- Use keypad to lock or unlock outside lever
- Mechanical key override
- Heavy duty Grade 1 cylindrical chassis
- Both clutched and rigid lever trim available
- Various cylinder and keying options
- Easy installation, easy programming



## Electronic Specifications

<b>Application</b>	Full indoor and outdoor
<b>User codes</b>	Up to 90
<b>Communication</b>	Multi-colored LED and Sound
<b>Power supply</b>	4AA battery
<b>Battery life</b>	Up to 2yrs
<b>Operating temperature</b>	-31° to 151°F (-35° to 66°C)
<b>Certifications</b>	FCC Part 15, UL 10C, A156.2

## Mechanical Specifications

<b>Chassis</b>	A156.2 certified grade 1 cylindrical
<b>Handing</b>	Non-handed
<b>Door thickness</b>	1-3/4"-2"
<b>Backset</b>	2-3/4" standard, 5" optional
<b>Latch bolt</b>	Self-adjustable, Stainless steel, 1/2" throw, dead-locking
<b>Faceplate</b>	Stainless steel, 1-1/8" X 2-1/4"
<b>Escutcheon</b>	Wrought steel or zinc alloy, plated to match finish symbols
<b>Levers</b>	Cast zinc or stainless steel, plated to match finish symbols
<b>Lever Style</b>	Sentinel(S), Quest(Q) and Gala(G)
<b>Clutching</b>	Available
<b>Strike</b>	ASA strike, 1-1/4" X 4-7/8", steel plated to match finish symbols
<b>Cylinder and keys</b>	6 pin brass, schlage "C" keyway standard, 2 brass keys per cylinder
<b>SFIC</b>	Small format IC available, 6 or 7 pin, Best "A" keyway

# XCE-2000 GRADE 1 ELECTRONIC CYLINDRICAL LOCKSET WITH KEYPAD

<b>Schlage® LFIC</b>	Schlage® Large Format I.C. less core available
<b>Corbin® LFIC</b>	Corbin® Large Format I.C. less core available, for 6 pin core
<b>High Security Cylinder</b>	Available, TownSteel "L" Keyway, Regular 6 pin, SFIC 7 pin
<b>Finish</b>	US26D and US10B stock finishes, other upon request
<b>Warranty</b>	1 year limited for electronic, 10-year limited for mechanical, 5-year limited for finish

## Code Compliance

- ANSI/BHMA A156.2: A156.2-2011 Certified
- ANSI/BHMA A156.25: Complies with A156.25 Grade 1
- UL/ULC: UL10C 3-hour rated
- BAA: Meets guidelines of the Buy American Act
- ADA: Meets requirements of the Americans with Disabilities Act
- RoHS: Meets requirements of EU RoHS Directive 2002/95/EC
- FCC: FCC part 15 certified



## How to order

XCE - - - -

### Series:

- XCE-2010** Cylindrical, Keypad, Rigid
- XCE-2020** Cylindrical, Keypad, Clutched
- XCE-2030** Cylindrical, Keypad, High Security Cylinder, Rigid
- XCE-2040** Cylindrical, Keypad, High Security Cylinder, Clutched

### Lever Style:

- S** Sentinel
- Q** Quest
- G** Gala

### Backset

- 2-3/4"
- 5"

### Finishes:

- US26D** Satin Chrome
- US10B** Powder Coat

### Keying/Cylinder

Specify when ordering



# XME-2000

## GRADE 1 ELECTRONIC MORTISE LOCKSET WITH KEYPAD

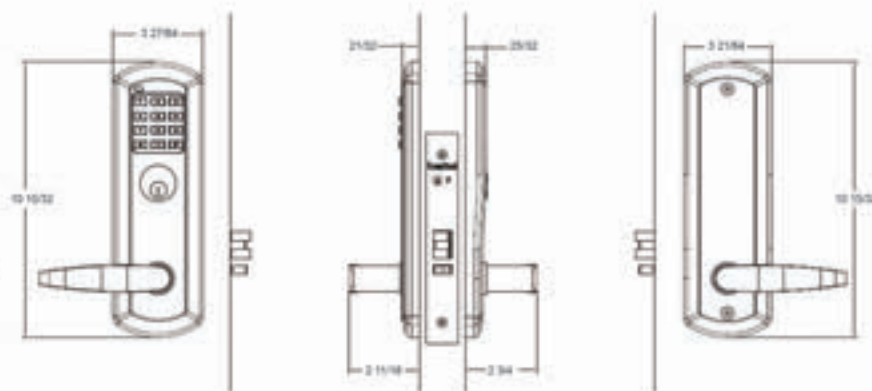


### Overview

The XME-2000 is a standalone electronic function lock that provides keypad technology integrated with an ANSI Grade 1 heavy duty mortise lockset for greater security. Keypad technology simplifies the management of the system and provides ease of use. Maximum code capacity includes 1 master code, 10 manager codes, 90 user codes and 5 service codes. The XME-2000 provides two remote control terminals; One for a fire alarm system and the other for remote release by push button. The XME 2000 is quick and easy to program.

### Features

- Digital keypad mortise lock
- Use keypad to lock or unlock outside lever
- Mechanical key override
- Both clutched and rigid lever trim available
- ANSI/BHMA Certified heavy duty Grade 1 mortise chassis
- Various cylinder and keying options
- Easy installation, easy programming



Without Deadbolt, Outside

Without Deadbolt, Inside

### Electronic Specifications

<b>Application</b>	Full indoor and outdoor
<b>User codes</b>	Up to 90
<b>Communication</b>	Multi-colored LED and Sound
<b>Power supply</b>	4AA battery
<b>Battery life</b>	Up to 2yrs
<b>Operating temperature</b>	-31° to 151°F (-35° to 66°C)
<b>Certifications</b>	FCC Part 15, UL 10C, A156.13

### Mechanical Specifications

<b>Chassis</b>	A156.13 certified grade 1 mortise
<b>Handing</b>	Handed, easy field reversible
<b>Door thickness</b>	1-3/4" standard, other upon request
<b>Backset</b>	2-3/4"
<b>Latch bolt</b>	Stainless steel, anti-friction split, 3/4" throw
<b>Faceplate</b>	1-1/8" X 8" standard, 1-1/16" x 8" narrow style available
<b>Escutcheon</b>	Wrought steel or zinc alloy, plated to match finish symbols
<b>Levers</b>	Forged brass or cast zinc, plated to match finish symbols
<b>Lever Style</b>	Sentinel (S), Quest (Q) and Gala (G). Designer lever styles upon request
<b>Strike</b>	ANSI strike, 1-1/4" X 4-7/8", steel plated to match finish symbols
<b>Lead line</b>	Available
<b>Clutching</b>	Available
<b>Cylinder and keys</b>	6 pin brass, schlage "C" keyway standard, 2 brass keys per cylinder
<b>SFIC</b>	Small format IC available, 6 or 7 pin, Best "A" keyway
<b>Schlage® LFIC</b>	Schlage® Large format IC housing available
<b>Corbin® LFIC</b>	Corbin® Large format IC housing available, for 6 pin core



With Deadbolt, Outside

With Deadbolt Inside

# XME-2000 GRADE 1 ELECTRONIC MORTISE LOCKSET WITH KEYPAD

**High Security Cylinder** Available, TownSteel "L" keyway, Regular 6 pin, SFIC 7 pin  
**Finish** US26D and US10B stocked finish, other finishes upon request  
**Warranty** 1 year limited for electronic, 10-year limited for mechanical, 5-year limited for finish

## Code Compliance

- ANSI/BHMA A156.13: A156.13-2012 Grade 1 certified
- ANSI/BHMA A156.25: Complies with A156.25 Grade 1
- UL/ULC: UL10C 3-hour rated
- BAA: Meets guidelines of the Buy American Act
- ADA: Meets requirements of the Americans with Disabilities Act
- RoHS: Meets requirements of EU RoHS Directive 2002/95/EC
- FCC: FCC part 15 certified



## How to order

<b>Series:</b>	XME	-	-	-	-
<b>XME-2010</b> Mortise, Keypad, Rigid					
<b>XME-2020</b> Mortise, Keypad, Clutched					
<b>XME-2030</b> Mortise, Keypad, High Security Cylinder, Rigid					
<b>XME-2040</b> Mortise, Keypad, High Security Cylinder, Clutched					
<b>XME-2050</b> Mortise, Keypad, Rigid, With Deadbolt					
<b>XME-2060</b> Mortise, Keypad, Clutched, With Deadbolt					
<b>XME-2070</b> Mortise, Keypad, High Security Cylinder, Rigid, With Deadbolt					
<b>XME-2080</b> Mortise, Keypad, High Security Cylinder, Clutched, With Deadbolt					
<b>Lever Style:</b>					
<b>S</b> Sentinel					
<b>Q</b> Quest					
<b>G</b> Gala					
<b>Backset</b>					
2-3/4"					
5"					
<b>Finishes:</b>					
<b>US26D</b> Satin Chrome					
<b>US10B</b> Powder Coat					
<b>Keying/Cylinder</b>					
Specify when ordering					

# FCE-2000

## GRADE 1 CYLINDRICAL LOCKSET WITH RFID TECHNOLOGY

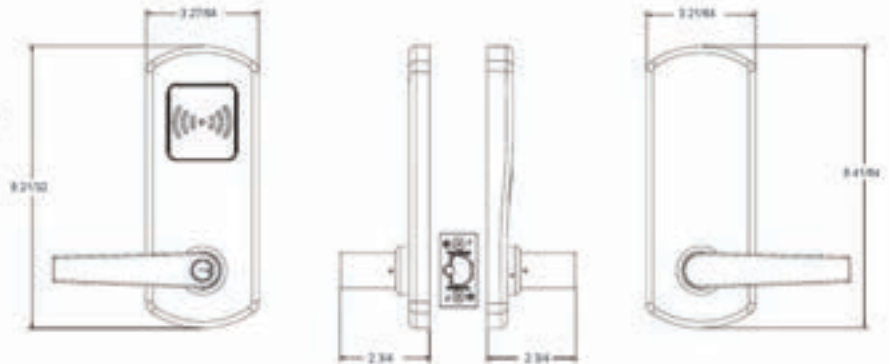


### Overview

The FCE-2000 is a standalone electronic function lock that provides RFID (Radio-Frequency Identification) technology integrated with an ANSI Grade 1 heavy duty cylindrical lockset for greater security. RFID technology simplifies the management of the system and provides ease of use. Maximum keycard capacity includes 1 program keycard, 1 clear keycard, 1 register keycard, and 250 user and office keycards. The FCE 2000 is quick and easy to program.

### Features

- Heavy duty standalone RFID cylindrical lock
- Easy programming of multiple locks
- Extended two years battery life, with low battery warning
- Easy firmware update
- Non-volatile memory (Setting is not deleted even if power off)
- Mechanical key override
- Encrypted keycard
- Mifare technology with NFC tag
- Tamper resistant mounting screws
- Vandal resistant RFID reader



### Electronic Specifications

<b>Application</b>	Full indoor and outdoor
<b>Users</b>	Up to 250
<b>Keycard verification time</b>	Less than 0.5 second
<b>Keycard maximum working distance</b>	3/4"
<b>Communication</b>	Multi-colored LED and Sound
<b>Power supply</b>	4AA battery
<b>Battery life</b>	Up to 2yrs
<b>Operating temperature</b>	-31° to 151°F (-35° to 66°C)
<b>Certifications</b>	FCC Part 15, UL 10C, A156.2
<b>Keycard</b>	2 User and 1 Office keycards standard
<b>Program Pack</b>	One each Program, Clear and Register keycard standard

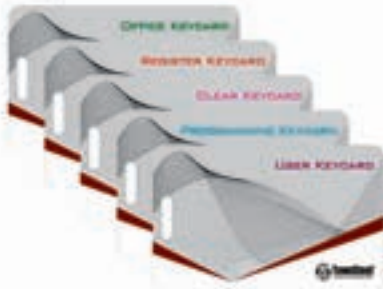
### Mechanical Specifications

<b>Chassis</b>	A156.2 certified grade 1 cylindrical
<b>Handing</b>	Non-handed
<b>Door thickness</b>	1-3/4"-2"
<b>Backset</b>	2-3/4" standard, 5" optional
<b>Latch bolt</b>	Self-adjustable, Stainless steel, 1/2" throw, dead-locking
<b>Faceplate</b>	Stainless steel, 1-1/8" X 2-1/4"
<b>Escutcheon</b>	Wrought steel or zinc alloy, plated to match finish symbols
<b>Levers</b>	Cast zinc or stainless steel, plated to match finish symbols
<b>Lever Style</b>	Sentinel(S), Quest(Q) and Gala(G)
<b>Clutching</b>	Available
<b>Strike</b>	ASA strike, 1-1/4" X 4-7/8", steel plated to match finish symbols
<b>Cylinder and keys</b>	6 pin brass, schlage "C" keyway standard, 2 brass keys per each cylinder





# FCE-2000 GRADE 1 CYLINDRICAL LOCKSET WITH RFID TECHNOLOGY



- SFIC** Small format IC available, 6 or 7 pin, Best "A" keyway available
- Schlage® LFIC** Schlage® Large format IC less core available
- Corbin® LFIC** Corbin® Large format IC less core available, for 6 pin core
- High Security Cylinder** Available, TownSteel "L" keyway, Regular 6 pin, SFIC 7 pin
- Finish** US26D and US10B stock finishes, other finishes upon request
- Warranty** 1 year limited for electronic, 10-year limited for mechanical, 5-year limited for finish

## Code Compliance

- ANSI/BHMA A156.2: A156.2-2011 Grade 1 certified
- ANSI/BHMA A156.25: Complies with A156.25 Grade 1
- UL/ULC: UL10C 3-hour rated
- BAA: Meets guidelines of the Buy American Act
- ADA: Meets requirements of the Americans with Disabilities Act
- RoHS: Meets requirements of EU RoHS Directive 2002/95/EC
- FCC: FCC part 15 certified



## How to order

		FCE	-	-	-	-
<b>Series:</b> FCE-2010 Cylindrical, RFID, Rigid FCE-2020 Cylindrical, RFID, Clutched FCE-2030 Cylindrical, RFID, High Security Cylinder, Rigid FCE-2040 Cylindrical, RFID, High Security Cylinder, Clutched						
<b>Lever Style:</b> S Sentinel Q Quest G Gala						
<b>Backset</b> 2-3/4" 5"						
<b>Finishes:</b> US26D Satin Chrome US10B Powder Coat						
<b>Keying/Cylinder</b> Specify when ordering						

# FME-2000

## GRADE 1 MORTISE LOCKSET WITH RFID TECHNOLOGY

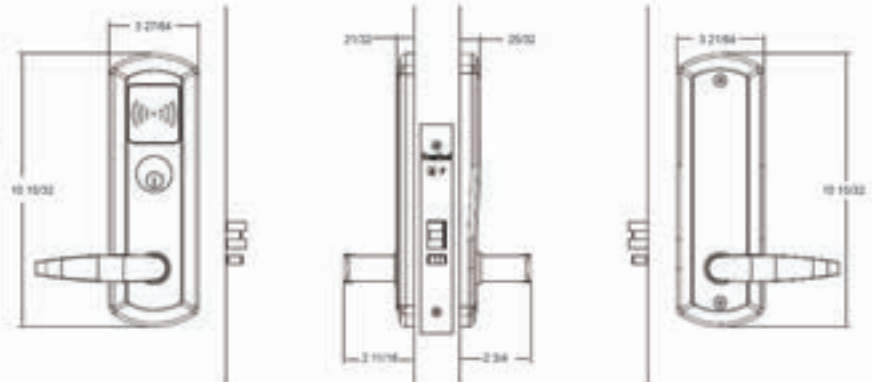


### Overview

The FME-2000 is a standalone electronic function lock that provides RFID (Radio-Frequency Identification) technology integrated with an ANSI Grade 1 heavy duty mortise lockset for greater security. RFID technology simplifies the management of the system and provides ease of use. Maximum keycard capacity includes 1 program keycard, 1 clear keycard, 1 register keycard, and 250 user and office keycards. The FME-2000 is quick and easy to program.

### Features

- Heavy duty standalone RFID mortise lock
- Easy programming of multiple locks
- Extended two years battery life, with low battery warning
- Easy firmware update
- Non-volatile memory (Setting is not deleted even if power off)
- Mechanical key override
- Encrypted keycard
- Mifare technology with NFC tag
- Tamper resistant mounting screws
- Vandal resistant RFID reader



### Electronic Specifications

<b>Application</b>	Full indoor and outdoor
<b>User keycards</b>	Up to 250
<b>Keycard verification time</b>	less than 0.5 second
<b>Keycard maximum working distance</b>	3/4"
<b>Communication</b>	Multi-colored LED and Sound
<b>Power supply</b>	4AA battery
<b>Battery life</b>	Up to 2yrs
<b>Operating temperature-exterior</b>	-31° to 151°F (-35° to 66°C)
<b>Certifications</b>	FCC Part 15, UL 10C, A156.13
<b>Keycard</b>	2 User and 1 Office keycards standard
<b>Program Pack</b>	One each Program, Clear and Register keycard standard



Without Deadbolt, Outside    Without Deadbolt Inside

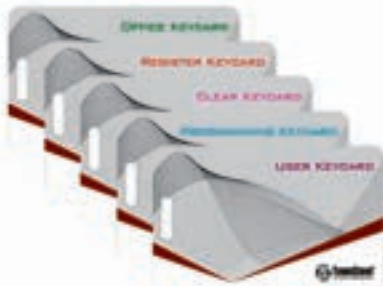
### Mechanical Specifications

<b>Chassis</b>	A156.13 certified grade 1 mortise
<b>Handing</b>	Handed, easy field reversible
<b>Door thickness</b>	1-3/4" standard, others upon request
<b>Backset</b>	2-3/4"
<b>Latch bolt</b>	Stainless steel, anti-friction split, 3/4" throw
<b>Faceplate</b>	1-1/8" X 8" standard, 1-1/16" x 8" narrow style available
<b>Escutcheon</b>	Wrought steel or zinc alloy, plated to match finish symbols
<b>Levers</b>	Forged brass or cast zinc, plated to match finish symbols
<b>Lever Style</b>	Sentinel (S), Quest (Q) and Gala (G). Designer lever upon request
<b>Strike</b>	ANSI strike, 1-1/4" X 4-7/8", stainless steel or steel plated to match finish symbol
<b>Lead line</b>	Available
<b>Clutching</b>	Available



With Deadbolt Outside    With Deadbolt Inside

# FME-2000 GRADE 1 MORTISE LOCKSET WITH RFID TECHNOLOGY



<b>Cylinder and keys</b>	6 pin brass, schlage "C" keyway standard, 2 brass keys per each cylinder
<b>SFIC</b>	Small format IC available, 6 or 7 pin, Best "A" keyway
<b>Schlage® LFIC</b>	Schlage® Large Format I.C. housing available
<b>Corbin® LFIC</b>	Corbin® Large Format I.C. housing available, for 6 pin core
<b>High Security Cylinder</b>	Available, TownSteel "L" keyway, Regular 6 pin, SFIC 7 pin
<b>Finish</b>	US26D and US10B stock finishes, other upon request
<b>Warranty</b>	1 year limited for electronic, 10-year limited for mechanical, 5-year limited for finish

## Code Compliance

- ANSI/BHMA A156.13: A156.13-2012 Grade 1 certified
- ANSI/BHMA A156.25: Complies with A156.25 Grade 1
- UL/ULC: UL10C 3-hour rated
- BAA: Meets guidelines of the Buy American Act
- ADA: Meets requirements of the Americans with Disabilities Act
- RoHS: Meets requirements of EU RoHS Directive 2002/95/EC
- FCC: FCC part 15 certified



## How to order

### Series:

<b>FME-2010</b>	Mortise RFID, Rigid
<b>FME-2020</b>	Mortise RFID, Clutched
<b>FME-2030</b>	Mortise RFID, High Security Cylinder, Rigid
<b>FME-2040</b>	Mortise RFID, High Security Cylinder, Clutched
<b>FME-2050</b>	Mortise RFID, Rigid, With Deadbolt
<b>FME-2060</b>	Mortise RFID, Clutched, With Deadbolt
<b>FME-2070</b>	Mortise RFID, High Security Cylinder, Rigid, With Deadbolt
<b>XME-2080</b>	Mortise RFID, High Security Cylinder, Clutched, With Deadbolt

### Lever Style:

<b>S</b>	Sentinel
<b>Q</b>	Quest
<b>G</b>	Gala

### Finishes:

<b>US26D</b>	Satin Chrome
<b>US10B</b>	Powder Coat

### Keying/Cylinder

Specify when ordering

FME - - - -



# XCE-3000



CYLINDRICAL WITH KEYPAD TECHNOLOGY



## Introduction

The XCE3000 is a standalone electronic function lock that provides a digital keypad technology with security afforded by using grade 1 heavy duty cylindrical lockset. Digital keypad technology simplifying the management of the system provides ease of use. Maximum key code capacity is 10 manager codes, 90 user codes and 10 remote open units per lock. Programming is quick and easy.

Remote open feature is accomplished using a Remote Open Unit (ROU) that is programmed to pair with the lock. The ROU can be programmed for one or multiple locks and has a minimum effective range of 75 feet. The 75 foot distance is not affected by walls or other barriers. With a simple press of the button on the ROU the lock will be opened for 5 seconds.

The lock is always able to be opened from the inside to allow for a safe evacuation when necessary. A manager or user code can be used to gain access to the room from outside. The locking system is operated by batteries and is not affected by power outages. No hard wiring is required from the lock to where the ROU is located. Overall the system is a secure, safe, practical and simple method to ensure the safety of the room.

## Electronic Specifications

- Standalone digital keypad cylindrical lock with Remote Open Unit (ROU)
- For entrance or office, full indoor and outdoor
- Pressing ROU unlocks lock for 5 seconds
- Manager/User code capacity per lock: 100
- ROU capacity per lock: 10
- ROU verification time: less than 1 second
- Non-volatile memory (setting is not deleted even if power off)
- Communication: Multi-colored LEDs, and sound

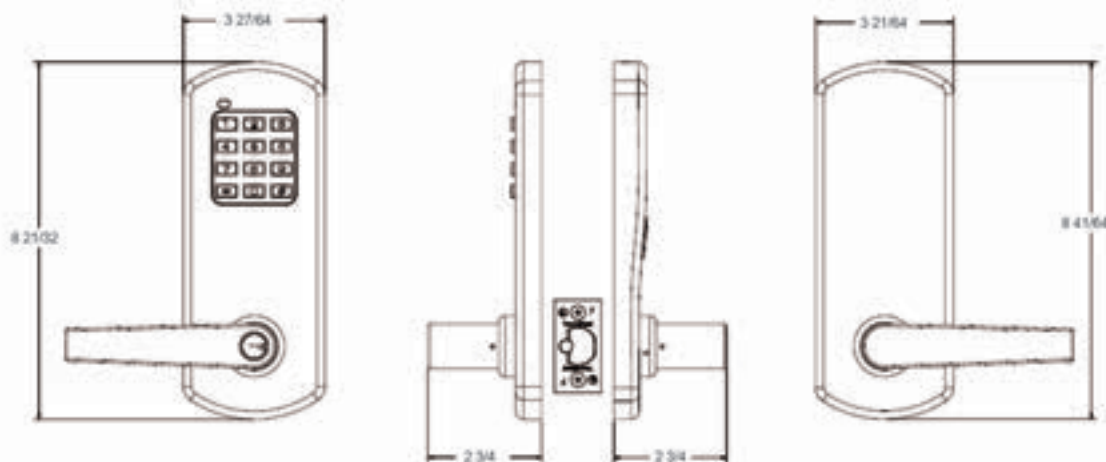


- Power supply: 4 AA batteries for lock, and 1 MN21/23 (12V) battery for ROU
- Battery usage: Up to 2 years
- Operating temperature: -31° to 151 °F (-35°to 66°C)
- Certifications: FCC part 15, UL 10C, ANSI/BHMA A156.2

### Mechanical Specifications

- ANSI Grade 1 heavy duty cylindrical lock
- Zinc or stainless steel lever
- Escutcheon trim, steel or zinc alloy
- Backset 2-3/4" standard, 5" optional
- Door thickness: 1-3/4" – 2"
- Rigid trim standard, clutched available
- US26D, US10B stocked finishes. Other upon request
- Schlage® "C" keyway, brass 6 pin cylinder standard
- SFIC, with or without core available, 6 or 7 core, Best® "A" keyway
- Schlage® LFIC less core, Corbin® LFIC less core available
- High security cylinder available, TownSteel "L" keyway, 6 pin
- High security SFIC core available, TownSteel "L" keyway, 7 pin
- KD keying standard, KA, MK, GMK, GGMK and construction keying available

### Profile



# XCE-3000

CYLINDRICAL WITH KEYPAD TECHNOLOGY



## Code Compliance

- ANSI/BHMA A156.2: A156.2-2011 Certified
- ANSI/BHMA A156.25: Complies with A156.25 Grade 1
- UL/ULC: UL10C 3-hour rated
- BAA: Meets guidelines of the Buy American Act
- ADA: Meets requirements of the Americans with Disabilities Act
- FCC: FCC part 15 certified



## How to order

### Series:

- XCE-3010 Rigid
- XCE-3020 Clutched
- XCE-3030 Rigid, w/High Security Cylinder
- XCE-3040 Clutched, w/High Security Cylinder

### Lever Style:

- S Sentinel
- Q Quest
- G Gala

### Backset

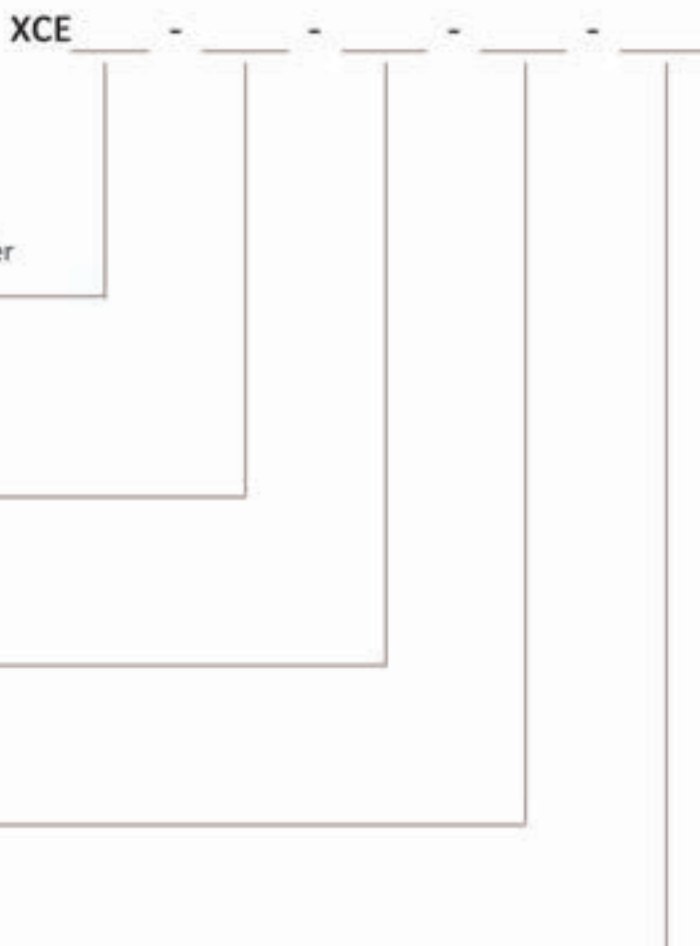
- 2-3/4"
- 5"

### Finishes:

- US26D Satin Chrome
- US10B Powder Coat

### Keying/Cylinder

Specify when ordering





### Introduction

The XME3000 is a standalone electronic function lock that provides a digital keypad technology with security afforded by using grade 1 heavy duty mortise lockset. Digital keypad technology simplifying the management of the system provides ease of use. Maximum key code capacity is 10 manager codes, 90 user codes and 10 remote open units per lock. Programming is quick and easy.

Remote open feature is accomplished using a Remote Open Unit (ROU) that is programmed to pair with the lock. The ROU can be programmed for one or multiple locks and has a minimum effective range of 75 feet. The 75 foot distance is not affected by walls or other barriers. With a simple press of the button on the ROU the lock will be opened for 5 seconds.

The lock is always able to be opened from the inside to allow for a safe evacuation when necessary. A manager or user code can be used to gain access to the room from outside. The locking system is operated by batteries and is not affected by power outages. No hard wiring is required from the lock to where the ROU is located. Overall the system is a secure, safe, practical and simple method to ensure the safety of the room.

### Electronic Specifications

- Standalone digital keypad cylindrical lock with Remote Open Unit (ROU)
- For entrance or office, full indoor and outdoor
- Pressing ROU unlocks lock for 5 seconds
- Manager/User code capacity per lock: 100
- ROU capacity per lock: 10
- ROU verification time: less than 1 second
- Non-volatile memory (setting is not deleted even if power off)
- Communication: Multi-colored LEDs, and sound

# XME-3000



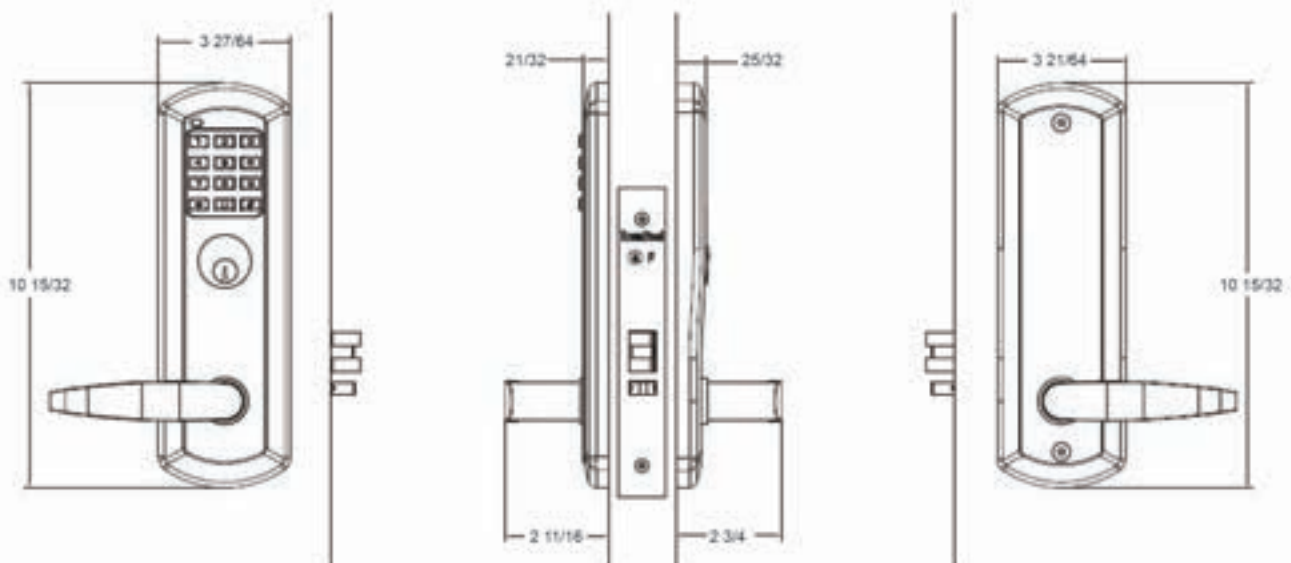
## MORTISE WITH KEYPAD TECHNOLOGY

- Power supply: 4 AA batteries for lock, and 1 MN21/23 (12V) battery for ROU
- Battery usage: Up to 2 years
- Operating temperature: -31° to 151 °F (-35°to 66°C)
- Certifications: FCC part 15, UL 10C, ANSI/BHMA A156.13

## Mechanical Specifications

- ANSI Grade 1 heavy duty mortise lock
- Forged brass or zinc lever
- Escutcheons trim, steel or zinc alloy
- Backset 2-3/4"
- Door thickness: 1-3/4" standard, other upon request
- Stainless steel latch bolt, 3/4" projection, split
- Rocker type stop works, stainless steel
- ANSI strike, plated
- Handing is field reversible without opening mortise cover
- US26D, US10B stocked finishes. Other upon request
- Schlage® "C" keyway, brass 6 pin cylinder standard
- SFIC, with or without core available, 6 or 7 core, Best® "A" keyway
- Schlage® LFIC less core, Corbin® LFIC less core available
- High security cylinder available, TownSteel "L" keyway, 6 pin
- High security SFIC core available, TownSteel "L" keyway, 7 pin
- KD keying standard, KA, MK, GMK, GGMK and construction keying available

## Profile



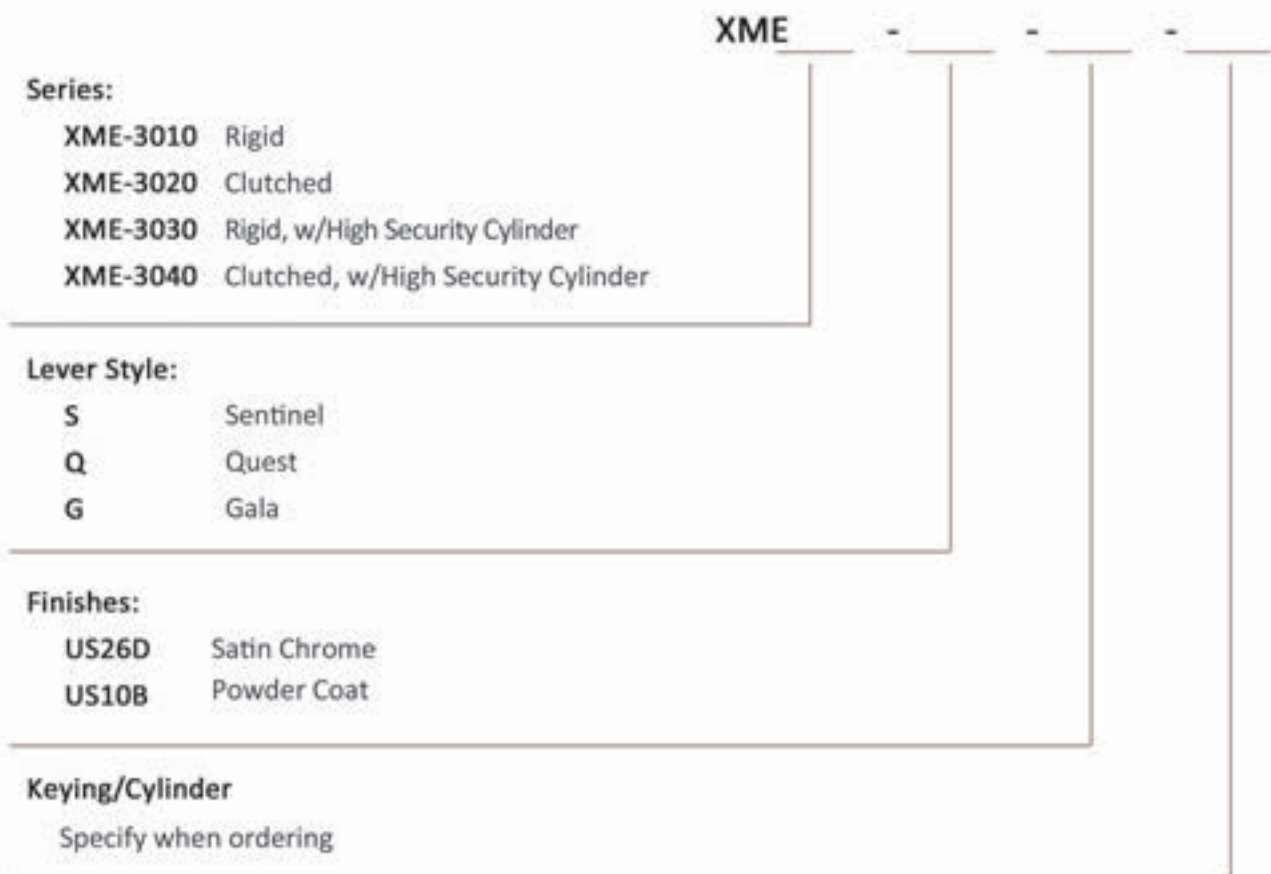


### Code Compliance

- ANSI/BHMA A156.13: A156.13-2012 Grade 1 Certified
- ANSI/BHMA A156.25: Complies with A156.25 Grade 1
- UL/ULC: UL10C 3-hour rated fire rating
- BAA: Meets requirements of the Buy American Act
- ADA: Meets guidelines of the Americans with Disabilities Act
- FCC: FCC part 15 certified



### How to order



# FCE-3000



## CYLINDRICAL WITH RFID TECHNOLOGY



### Introduction

The FCE3000 is a standalone electronic function lock that provides a RFID technology with the security afforded by using grade 1 heavy duty cylindrical lockset. RFID technology simplifying the management of the system provides ease of use. Maximum keycard capacity includes 250 office keycards and user keycards, and 120 remote open units per lock. Programming is quick and easy.

Remote open feature is accomplished using a Remote Open Unit (ROU) that is programmed to pair with the lock. The ROU can be programmed for one or multiple locks and has a minimum effective range of 75 feet. The 75 foot distance is not affected by walls or other barriers. With a simple press of the button on the ROU the lock will be opened for 5 seconds.

The lock is always able to be opened from the inside to allow for a safe evacuation when necessary. An office keycard, user keycard or key override can be used to gain access to the room from outside. The locking system is operated by batteries and is not affected by power outages. Overall the system is a secure, safe, practical and simple method to ensure the safety of the room.

### Electronic Specifications

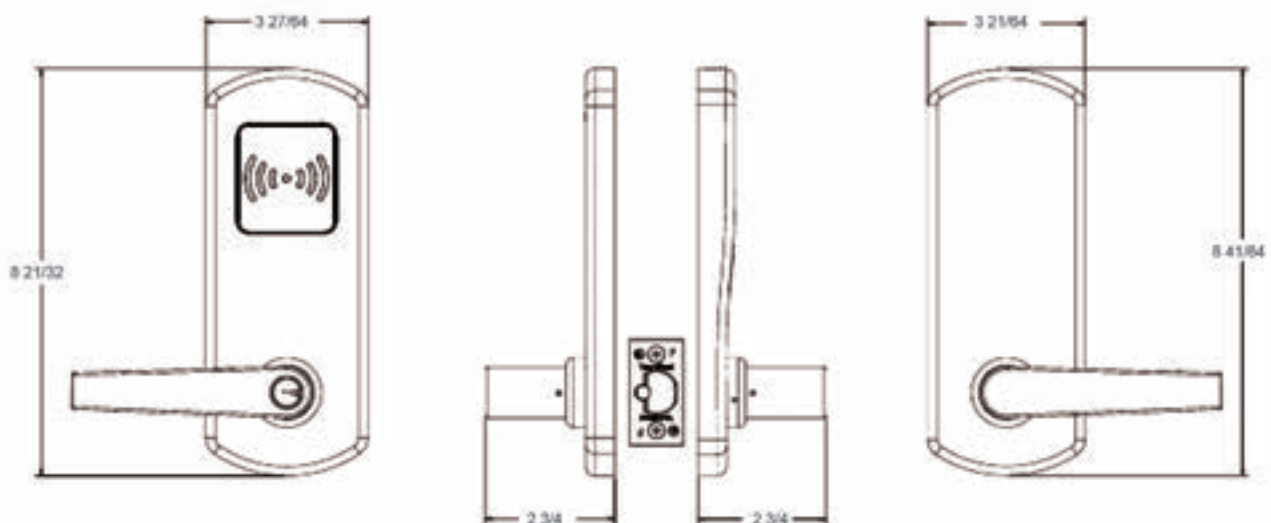
- Standalone RFID cylindrical lock with Remote Open Unit (ROU)
- For entrance or office, full indoor and outdoor
- Pressing ROU unlocks lock for 5 seconds
- Mifare technology with NFC tag
- Non-volatile memory (setting is not deleted even if power off)
- 250 keycards capacity per lock, encrypted keycard
- 120 ROU capacity per lock
- Less than 0.5 second credential verification time
- ¾" maximum keycard read/write distance
- 75 feet minimum ROU working distance

- Multi-colored LED indicator and sound communication
- 4 AA alkaline batteries for lock, and 1 MN27/A27 (12V) for ROU, up to 2 years
- -31° to 151° F operating temperature

### Mechanical Specifications

- ANSI Grade 1 heavy duty cylindrical lock
- Zinc or stainless steel lever
- Escutcheon trim, steel or zinc alloy
- Backset 2-3/4" standard, 5" optional
- Door thickness: 1-3/4"-2"
- Rigid trim standard, clutched available
- US26D, US10B stocked finishes. Other upon request
- Schlage® "C" keyway, brass 6 pin cylinder standard
- SFIC, with or without core available , 6 or 7 pin core
- Schlage® LFIC less core, Corbin® LFIC less core available
- High security cylinder available, TownSteel "L" keyway, 6 pin
- High security SFIC core available, TownSteel "L" keyway, 7 pin
- KD, KA, MK, GGMK and construction keying available

### Profile



# FCE-3000



CYLINDRICAL WITH RFID TECHNOLOGY

## Code Compliance

- ANSI/BHMA A156.2: A156.2-2011 Certified
- ANSI/BHMA A156.25: Complies with A156.25 Grade 1
- UL/ULC: UL10C 3-hour rated
- BAA: Meets guidelines of the Buy American Act
- ADA: Meets requirements of the Americans with Disabilities Act
- FCC: FCC part 15 certified



## How to order

FCE - - - - -

### Series:

- FCE-3010 Rigid
- FCE-3020 Clutched
- FCE-3030 Rigid, with High Security Cylinder
- FCE-3040 Clutched, with High Security Cylinder

### Lever Style:

- S Sentinel
- Q Quest
- G Gala

### Backset

- 2-3/4"
- 5"

### Finishes:

- US26D Satin Chrome
- US10B Powder Coat

### Keying

Specify when ordering





### Introduction

The FME3000 is a standalone electronic function lock that provides a RFID technology with the security afforded by using grade 1 heavy duty mortise lockset. RFID technology simplifying the management of the system provides ease of use. Maximum keycard capacity includes 250 office keycards and user keycards, and 120 remote open units per lock. Programming is quick and easy.

Remote open feature is accomplished using a Remote Open Unit (ROU) that is programmed to pair with the lock. The ROU can be programmed for one or multiple locks and has a minimum effective range of 75 feet. The 75 foot distance is not affected by walls or other barriers. With a simple press of the button on the ROU the lock will be opened for 5 seconds.

The lock is always able to be opened from the inside to allow for a safe evacuation when necessary. An office keycard, user keycard or key override can be used to gain access to the room from outside. The locking system is operated by batteries and is not affected by power outages. Overall the system is a secure, safe, practical and simple method to ensure the safety of the room.

### Electronic Specifications

- Standalone RFID mortise lock with Remote Open Unit (ROU)
- For entrance or office, full indoor and outdoor
- Pressing ROU unlocks lock for 5 seconds
- Mifare technology with NFC tag
- Non-volatile memory (setting is not deleted even if power off)
- 250 keycards capacity per lock, encrypted keycard
- 120 ROU capacity per lock
- Less than 0.5 second credential verification time
- ¾" maximum keycard read/write distance
- 75 feet minimum ROU working distance
- Multi-colored LED indicator and sound communication
- 4 AA alkaline batteries for lock, and 1 MN27/A27 (12V) for ROU, up to 2 years
- -31° to 151° F operating temperature

# FME-3000

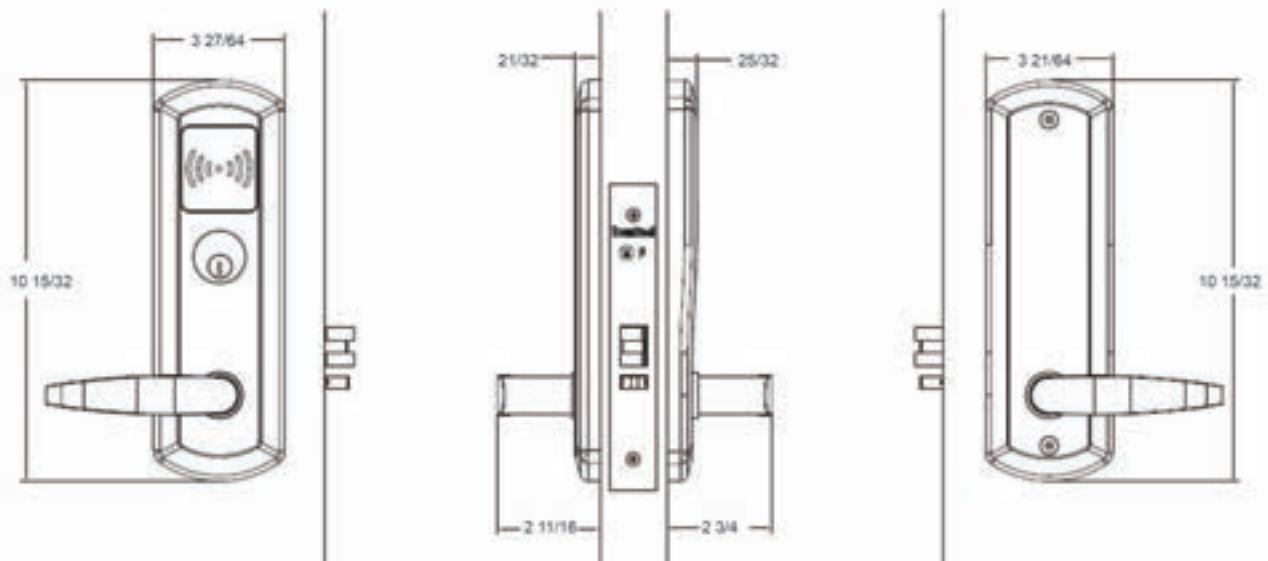


MORITSE WITH RFID TECHNOLOGY

## Mechanical Specifications

- ANSI Grade 1 heavy duty mortise lock
- Forged brass or zinc lever
- Escutcheon trim, steel or zinc alloy
- Backset 2-3/4"
- Door thickness: 1-3/4", other upon request
- Stainless steel deadbolt with 1" throw, anti-saw with hardened pins
- Stainless steel latch bolt, 3/4" projection, split
- Rocker type stop works, stainless steel
- ANSI strike, plated
- Handing field reversible without opening mortise cover
- US26D, US10B stocked finishes. Other upon request
- Schlage® "C" keyway, brass 6 pin cylinder standard
- SFIC, with or without core available, 6 or 7 pin core
- Schlage® LFIC less core, Corbin® LFIC less core available
- High security cylinder available, TownSteel "L" keyway, 6 pin
- High security SFIC core available, TownSteel "L" keyway, 7 pin
- KD, KA, MK, GGМК and construction keying available

## Profile



### Code Compliance

- ANSI/BHMA A156.13: A156.13-2012 Grade 1 Certified
- ANSI/BHMA A156.25: Complies with A156.25 Grade 1
- UL/ULC: UL10C 3-hour rated fire rating
- BAA: Meets requirements of the Buy American Act
- ADA: Meets guidelines of the Americans with Disabilities Act
- FCC: FCC part 15 certified



### How to order

FME - - - -

#### Series:

- FME-3010 Rigid
- FME-3020 Clutched
- FME-3030 Rigid, with High Security Cylinder
- FME-3040 Clutched, with High Security Cylinder

#### Lever Style:

- S Sentinel
- Q Quest
- G Gala

#### Finishes:

- US26D Satin Chrome
- US10B Powder Coat

#### Keying

Specify when ordering

# XCE-9000

CYLINDRICAL WITH KEYPAD



## Introduction

The XCE 9000 is a Standalone Electronic Classroom Security function lock that provides a remote lockdown along with the security afforded by using a grade 1 heavy duty cylindrical lockset.

Lockdown is accomplished using a Remote Control Unit (RCU) that is paired with one or more locks within the RCU's 75 foot range. The RCU is specific to the paired lock or locks. With a simple push of the RCU button the lock is secured against unauthorized outside entry. Lockdown is further indicated by red LEDs on both inside and outside portions of the lock that signify a lockdown is in progress. The RCU is normally controlled by a teacher or other designated individual that is granted responsibility for the room. The RCU will be carried at all times by the designated individual of the room, much like any other small piece of security or safety equipment.

The room will remain in lockdown until a lockdown cancellation code is entered from outside. The lock is always able to be opened from the inside to allow for a safe evacuation when necessary. During lockdown, a user code, office code or key override may be used to gain access to the room. The locking system is operated by batteries and is not affected by power outages. Overall the system is a secure, safe, practical and simple method to ensure the safety of the room and especially children.

## Features

- Standalone electronic classroom intruder function
- Remote control unit (RCU) for lockdown
- Mechanical key override
- Inside and outside red LED lockdown indicators
- Lockdown cancellation code releases lockdown mode
- Heavy duty Grade 1 cylindrical lockset

## Electronic Specifications

- Application: For classroom lockdown, full indoor and outdoor
- User/Office code capacity per lock: 90
- Emergency code capacity per lock: 9
- RCU verification time: less than 1 second
- Communication: Multi-colored LEDs and Sound
- Power supply: 4AA battery
- Battery life: Up to 2 years
- Operating temperature: -31° to 151° F (-35° to 66°C)
- Certifications: FCC Part 15, UL 10C, ANSI/BHMA A156.2





### Mechanical Specifications

<b>Door Thickness</b>	1-3/4"-2"
<b>Backset</b>	2-3/4" standard, 5" optional
<b>Strike</b>	ASA Strike standard, 1-1/4" X 4-7/8"
<b>Latch bolt</b>	Stainless Steel, deadlocking, 1/2" projection
<b>Faceplate</b>	1-1/8" x 2-1/4"
<b>Escutcheon</b>	Steel or zinc alloy
<b>Lever</b>	Zinc or stainless steel
<b>Lever Style</b>	Sentinel (S), Quest (Q) and Gala(G)
<b>Cylinder</b>	- 6 pin Schlage® C Keyway, standard - Small Format IC with or without core available, 6 or 7 pin core, Best "A" keyway - Schlage® Large Format IC less core available - Corbin® Large Format IC less core available, for 6 pin core - High Security Cylinder available, 6 pin, TownSteel "L" keyway - High Security SFIC Core available, 7 pin, TownSteel "L" keyway
<b>Keying</b>	KD standard, KA, MK, GMK, GGMK and construction available
<b>Stock Finish</b>	US26D and US10B, other upon request.

### Code Compliance

<b>ANSI/BHMA A156.2</b>	A156.2-2011 Grade 1 Certified
<b>ANSI/BHMA A156.25</b>	Complies with A156.25 Grade 1
<b>UL/ULC</b>	UL 10C 3-hour rated
<b>BAA</b>	Meets guidelines of the Buy American Act
<b>ADA</b>	Meets requirements of the Americans with Disabilities Act
<b>RoHS</b>	Meets requirements of EU RoHS Directive 2002/95/EC
<b>FCC</b>	FCC part 15 certified

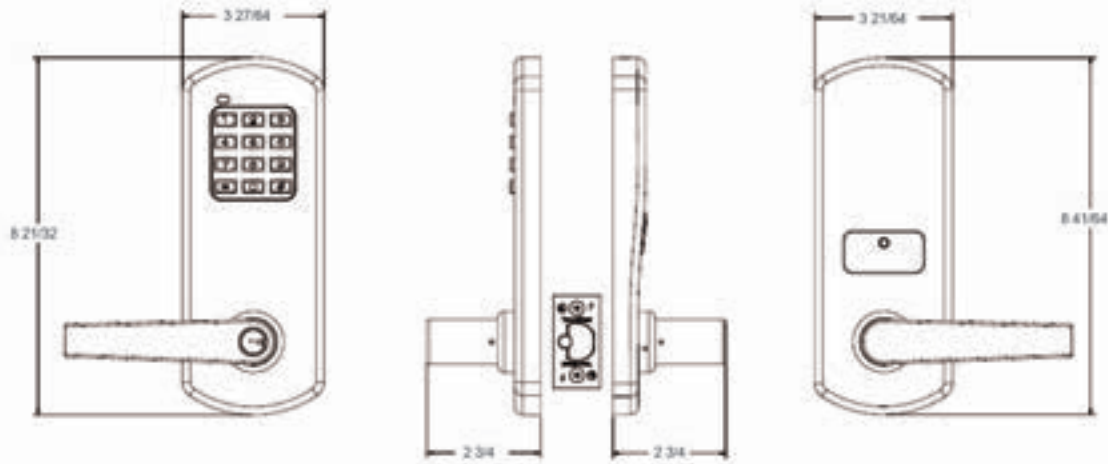


# XCE-9000



CYLINDRICAL WITH KEYPAD

## Profile



## How to order

XCE - - - -

**Series:**

- XCE-9010 Rigid
- XCE-9020 Clutched
- XCE-9030 Rigid, with High Security Cylinder
- XCE-9040 Clutched, with High Security Cylinder

**Lever Style:**

- S Sentinel
- Q Quest
- G Gala

**Backset**

- 2-3/4"
- 5"

**Finishes:**

- US26D Satin Chrome
- US10B Powder Coat

**Keying**

Specify when ordering

### Introduction

The XME 9000 is a Standalone Electronic Classroom Security function lock that provides a remote lockdown along with the security afforded by using a grade 1 heavy duty mortise lockset.

Lockdown is accomplished using a Remote Control Unit (RCU) that is paired with one or more locks within the RCU's 75 foot range. The RCU is specific to the paired lock or locks. With a simple push of the RCU button the lock is secured against unauthorized outside entry. Lockdown is further indicated by red LEDs on both inside and outside portions of the lock that signify a lockdown is in progress. The RCU is normally controlled by a teacher or other designated individual that is granted responsibility for the room. The RCU will be carried at all times by the designated individual of the room, much like any other small piece of security or safety equipment.

The room will remain in lockdown until a lockdown cancellation code is entered from outside. The lock is always able to be opened from the inside to allow for a safe evacuation when necessary. During lockdown, a user code, office code or key override may be used to gain access to the room. The locking system is operated by batteries and is not affected by power outages. Overall the system is a secure, safe, practical and simple method to ensure the safety of the room and especially children.

### Features

- Standalone electronic classroom intruder function
- Remote control unit (RCU) for lockdown
- Mechanical key override
- Inside and outside red LED lockdown indicators
- Lockdown cancellation code releases lockdown mode
- Heavy duty Grade 1 cylindrical lockset

### Electronic Specifications

- Application: For classroom lockdown, full indoor and outdoor
- User/Office code capacity per lock : 90
- Emergency code capacity per lock: 9
- RCU verification time: less than 1 second
- Communication: Multi-colored LEDs and Sound
- 4 AA alkaline batteries for lock, and 1 MN27/A27 (12V) for ROU, up to 2 years
- Battery life: Up to 2 years
- Operating temperature: -31° to 151° F (-35° to 66°C)
- Certifications: FCC Part 15, UL 10C, ANSI/BHMA A156.13

# XME-9000



## MORTISE WITH KEYPAD



### Mechanical Specifications

<b>Door Thickness</b>	1-3/4" standard, other upon request
<b>Backset</b>	2-3/4"
<b>Strike</b>	ASA Strike standard, 1-1/4" X 4-7/8"
<b>Latch bolt</b>	Stainless Steel, split, anti-friction, 3/4" projection
<b>Guard bolt</b>	Stainless Steel
<b>Faceplate</b>	Stainless Steel, 1-1/8" x 8"
<b>Strike</b>	ASA Strike, 1-1/4" X 4-7/8"
<b>Escutcheon</b>	Steel or zinc alloy
<b>Lever</b>	Forged brass or zinc
<b>Lever Style</b>	Sentinel (S), Quest (Q) and Gala(G), designer lever styles upon request
<b>Handing</b>	Field reversible without opening mortise cover
<b>Cylinder</b>	- 6 pin Schlage® "C" Keyway, standard - Small Format IC with or without core available, 6 or 7 pin core, Best "A" keyway - Schlage® Large Format IC less core available - Corbin® Large Format IC less core available, for 6 pin core - High Security Cylinder available, 6 pin, TownSteel "L" keyway - High Security SFIC Core available, 7 pin, TownSteel "L" keyway
<b>Keying</b>	KD standard, KA, MK, GMK, GGMK and construction available
<b>Finish</b>	US26D and US10B stocked, other upon request
<b>Warranty</b>	1-year limited for electronic, 5-year limited for finish, 10-year limited for mechanical

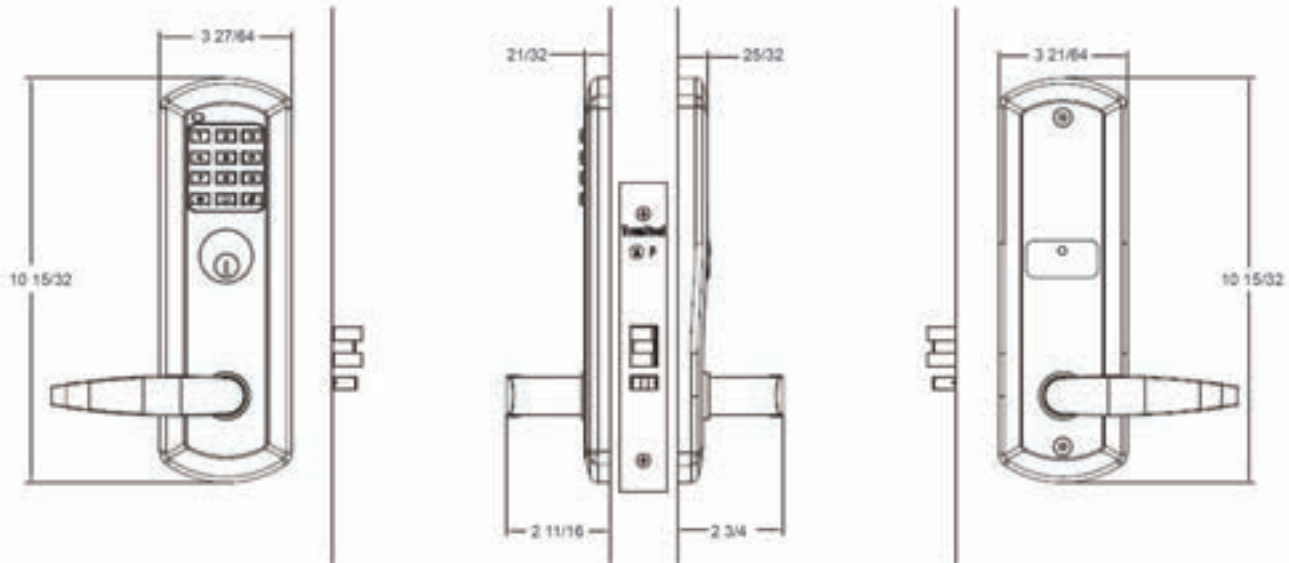
### Code Compliance

<b>ANSI/BHMA A156.13</b>	A156.13-2012 Grade 1 Certified
<b>ANSI/BHMA A156.25</b>	Complies with A156.25 Grade 1
<b>UL/ULC</b>	UL 10C 3-hour rated
<b>BAA</b>	Meets guidelines of the Buy American Act
<b>ADA</b>	Meets requirements of the Americans with Disabilities Act
<b>RoHS</b>	Meets requirements of EU RoHS Directive 2002/95/EC
<b>FCC</b>	FCC part 15 certified





## Profile



## How to order

### Series:

- XME-9010** Rigid
- XME-9020** Clutched
- XME-9030** Rigid, with High Security Cylinder
- XME-9040** Clutched, with High Security Cylinder

### Lever Style:

- S** Sentinel
- Q** Quest
- G** Gala

### Finishes:

- US26D** Satin Chrome
- US10B** Powder Coat

### Keying

Specify when ordering

XME - - - -

--	--	--	--

# FCE-4000

CYLINDRICAL WITH RFID TECHNOLOGY



## Introduction

The FCE 4000 series is a grade 1 heavy duty standalone electronic lock with the security afforded by using the latest RFID technology. RFID technology simplifies the management of the lock system to make this an easy and effective method of control. Maximum keycard capacity is 250 office and user keycards along with 120 Remote Control Units (RCU) that are able to pair with each lock. Programming is practical, efficient and simple.

The lock system provides for Lockdown of the lock using the RCU that is programmed to pair with the lock. The RCU can be programmed for one or multiple locks and has a minimum effective range of 75 feet. The 75 foot distance is not affected by walls or barriers. With a simple press of the button on the RCU the lock will be locked down and a LED will flash indicating a lockdown is in progress. The RCU is normally controlled by a designated individual, usually a teacher, and they are responsible for lockdown in the event of an emergency.

The lock is always able to be opened from the inside to allow for exit or evacuation at any time. During lockdown an entry card may be used to gain access to the room if necessary. The RCU will not cancel lockdowns, a Lockdown Cancel Keycard is used to cancel the lockdown mode. The locking system is operated by batteries and not affected by external electrical power outages.

Overall the RFID lock system is a secure, safe, practical and simple method to ensure the safety of the occupants in the room, especially children.

## Features

- Standalone RFID cylindrical lock with classroom lockdown feature
- Ideal for school safety programs
- Easy programming of multiple locks
- Extended two years battery life, with low battery warning
- Easy firmware upgrade
- Non-volatile memory (setting is not deleted even if power off)
- Mechanical key override
- Encrypted keycard, 8-bit Universal Identification (UID)
- Mifare technology with NFC tag
- Tamper resistant mounting screws
- Vandal Resistant RFID reader
- Heavy duty Grade 1 cylindrical lockset

## Electronic Specifications

- Application: For classroom lockdown, full indoor and outdoor
- Capacity of User/Office keycards per Lock: 250
- Capacity of RCU per Lock: 120
- Credential verification time: Less than 0.5 second
- Keycard maximum read/write distance:  $\frac{3}{4}$ "
- RCU minimum working distance: 75 feet
- Communication: Multi-colored LED indicator and sound
- 4 AA alkaline batteries for lock, and 1 MN27/A27 (12V) for ROU, up to 2 years
- Battery life: Up to 2 years
- Operating temperature: -31° to 151° F (-35° to 66°C)



### Mechanical Specifications

<b>Door Thickness</b>	1-3/4"-2"
<b>Backset</b>	2-3/4" standard, 5" optional
<b>Clutched trim</b>	Available
<b>Latch bolt</b>	Stainless Steel, deadlocking, 1/2" throw
<b>Faceplate</b>	1-1/8" x 2-1/4"
<b>Strike</b>	ASA Strike standard, 1-1/4" X 4-7/8"
<b>Escutcheon</b>	Steel or zinc alloy
<b>Lever</b>	Zinc or stainless steel
<b>Lever Style</b>	Sentinel (S), Quest (Q) and Gala(G)
<b>Cylinder</b>	<ul style="list-style-type: none"> <li>- 6 pin Schlage® C Keyway, standard</li> <li>- Small Format IC with or without core available, 6 or 7 pin core, Best "A" keyway</li> <li>- Schlage® Large Format IC less core available</li> <li>- Corbin® Large Format IC less core available, for 6 pin core</li> <li>- High Security Cylinder available, 6 pin, TownSteel "L" keyway</li> <li>- High Security SFIC Core available, 7 pin, TownSteel "L" keyway</li> </ul>
<b>Keying</b>	KD standard, KA, MK, GMK, GGMK and construction available
<b>Finish</b>	US26D and US10B stocked, other upon request
<b>Warranty</b>	1 year limited for electronic, 5-year limited for finish, 10-year limited for mechanical

### Code Compliance

<b>ANSI/BHMA A156.2</b>	A156.2-2011 Grade 1 Certified
<b>ANSI/BHMA A156.25</b>	Complies with A156.25 Grade 1
<b>UL/ULC</b>	UL 10C 3-hour rated
<b>BAA</b>	Meets guidelines of the Buy American Act
<b>ADA</b>	Meets requirements of the Americans with Disabilities Act
<b>RoHS</b>	Meets requirements of EU RoHS Directive 2002/95/EC
<b>FCC</b>	FCC part 15 certified

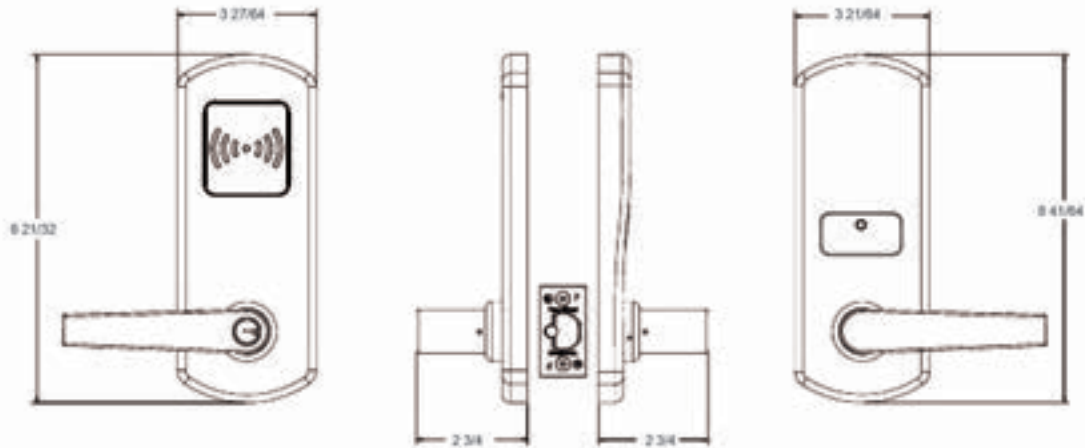


# FCE-4000



CYLINDRICAL WITH RFID TECHNOLOGY

## Profile



## How to order

FCE - - - -

### Series:

- FCE-4010 Rigid
- FCE-4020 Clutched
- FCE-4030 Rigid, with High Security Cylinder
- FCE-4040 Clutched, with High Security Cylinder

### Lever Style:

- S Sentinel
- Q Quest
- G Gala

### Backset

- 2-3/4"
- 5"

### Finishes:

- US26D Satin Chrome
- US10B Powder Coat

### Keying

Specify when ordering



### Introduction

The FME4000 is a standalone electronic function lock that provides a RFID technology with the security afforded by using grade 1 heavy duty mortise lockset. RFID technology simplifying the management of the system provides ease of use. Maximum keycard capacity includes 250 office keycards and user keycards, and 120 Remote Control Units per lock. Programming is quick and easy.

Lockdown feature is accomplished using a Remote Control Unit (RCU) that is programmed to one or more locks with the RCU's 75 feet range. The RCU is specific to the paired lock or locks. With a simple push of the lock that will signify a lockdown is in progress. The RCU is normally controlled by a teacher or other designated individual that is responsible for the room lockdown in the event of emergency. The RCU will be carried at all times by the designated individual of the room.

The lock is always able to be opened from the inside to allow for a safe evacuation when necessary. During lockdown, an office keycard, user keycard, or key override may be used to gain access to the room if necessary. A lockdown cancellation keycard may be used to release lockdown mode. The locking system is operated by batteries and is not affected by power outages. Overall the system is a secure, safe, practical and simple method to ensure the safety of the room and especially children.

### Features

- Standalone RFID cylindrical lock with classroom lockdown feature
- Ideal for school safety programs
- Easy programming of multiple locks
- Extended two years battery life, with low battery warning
- Easy firmware upgrade
- Non-volatile memory (setting is not deleted even if power off)
- Mechanical key override
- Encrypted keycard, 8-bit Universal Identification (UID)
- Mifare technology with NFC tag
- Tamper resistant mounting screws
- Vandal Resistant RFID reader
- Heavy duty Grade 1 cylindrical lockset

### Electronic Specifications

- Application: For classroom lockdown, full indoor and outdoor
- Capacity of User/Office keycards per Lock: 250
- Capacity of RCU per Lock: 120
- Credential verification time: Less than 0.5 second
- Keycard maximum read/write distance: ¾"
- RCU minimum working distance: 75 feet
- Communication: Multi-colored LED indicator and sound
- Power supply: 4AA battery
- Battery life: Up to 2 years
- Operating temperature: -31° to 151° F (-35° to 66°C)

# FME-4000



MORTISE WITH RFID TECHNOLOGY



## Mechanical Specifications

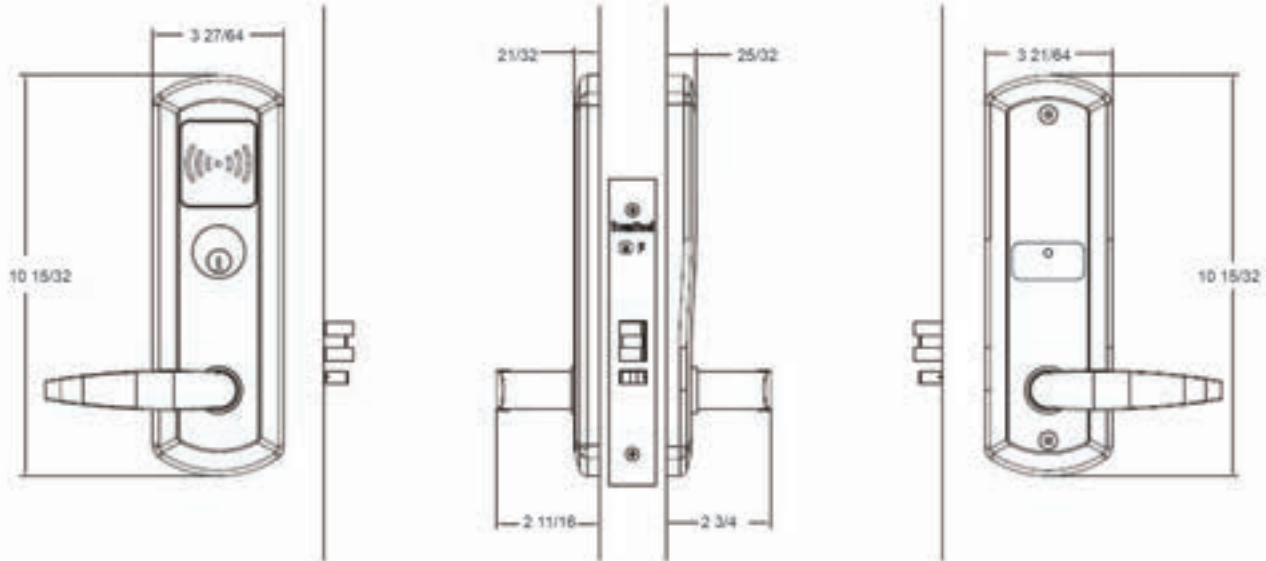
<b>Door Thickness</b>	1-3/4" standard, others upon request
<b>Backset</b>	2-3/4"
<b>Clutched trim</b>	Available
<b>Latch bolt</b>	Stainless Steel, split, anti-friction, 3/4" projection
<b>Guard bolt</b>	Stainless Steel
<b>Faceplate</b>	Stainless Steel, 1-1/8" x 8"
<b>Strike</b>	ASA Strike standard, 1-1/4" X 4-7/8"
<b>Escutcheon</b>	Steel or zinc alloy
<b>Lever</b>	Forged brass or zinc
<b>Lever Style</b>	Sentinel (S), Quest (Q) and Gala(G), designer lever styles upon request
<b>Handing</b>	Field reversible without opening mortise cover
<b>Cylinder</b>	- 6 pin Schlage® "C" Keyway, standard - Small Format IC with or without core available, 6 or 7 pin core, Best "A" keyway - Schlage® Large Format IC less core available - Corbin® Large Format IC less core available, for 6 pin core - High Security Cylinder available, 6 pin, TownSteel "L" keyway - High Security SFIC Core available, 7 pin, TownSteel "L" keyway
<b>Keying</b>	KD standard, KA, MK, GMK, GGK and construction available
<b>Finish</b>	US26D and US10B stocked, other upon request
<b>Warranty</b>	1 year limited for electronic, 5-year limited for finish, 10-year limited for mechanical

## Code Compliance

<b>ANSI/BHMA A156.13</b>	A156.13-2012 Grade 1 Certified
<b>ANSI/BHMA A156.25</b>	Complies with A156.25 Grade 1
<b>UL/ULC</b>	UL 10C 3-hour rated
<b>BAA</b>	Meets guidelines of the Buy American Act
<b>ADA</b>	Meets requirements of the Americans with Disabilities Act
<b>RoHS</b>	Meets requirements of EU RoHS Directive 2002/95/EC
<b>FCC</b>	FCC part 15 certified



### Profile



### How to order

#### Series:

- FME-4010** Rigid
- FME-4020** Clutched
- FME-4030** Rigid, with High Security Cylinder
- FME-4040** Clutched, with High Security Cylinder

#### Lever Style:

- S** Sentinel
- Q** Quest
- G** Gala

#### Finishes:

- US26D** Satin Chrome
- US10B** Powder Coat

#### Keying

Specify when ordering

FME - - - -

--	--	--	--

# XADB™ 2000

MORTISE WITH KEYPAD TECHNOLOGY



## Introduction

The XADB™ 2000 is a standalone electronic lock with security afforded by using grade 1 heavy duty mortise lockset. Keypad technology simplifies the management of the system and provides ease of use. Maximum code capacity is 90 user codes, 10 manager codes, 5 service codes, and 1 master code.

Dead bolt projects automatically when closing the door. Rotating lever inside retracts both bolts. Key override may be used to gain access to the room if necessary. The locking system is operated by 4 AA batteries and is not affected by power outages.

## Electronic Specifications

- Code Length programmable to be 4, 5 or 6 digits
- Maximum 90 user codes
- Approximately 40,000 activations on 4 AA batteries in normal conditions
- Low battery warning

## Mechanical Specifications

- ANSI/BHMA grade 1 mortise Lockset
- UL 3-hour rated
- Lever return less than 1/2"
- Backset 2-3/4"
- Door thickness: 1-3/4", other upon request
- Stainless steel deadbolt with 1" throw, anti-saw hardened pins
- Stainless steel latch bolt, 3/4" projection, split
- ASA strike, stainless steel or plated
- Handing is field reversible without opening mortise cover
- US26D and US10B stocked finishes, other upon request



# XADB™ 2000 MORTISE WITH KEYPAD TECHNOLOGY Automatic Dead Bolt

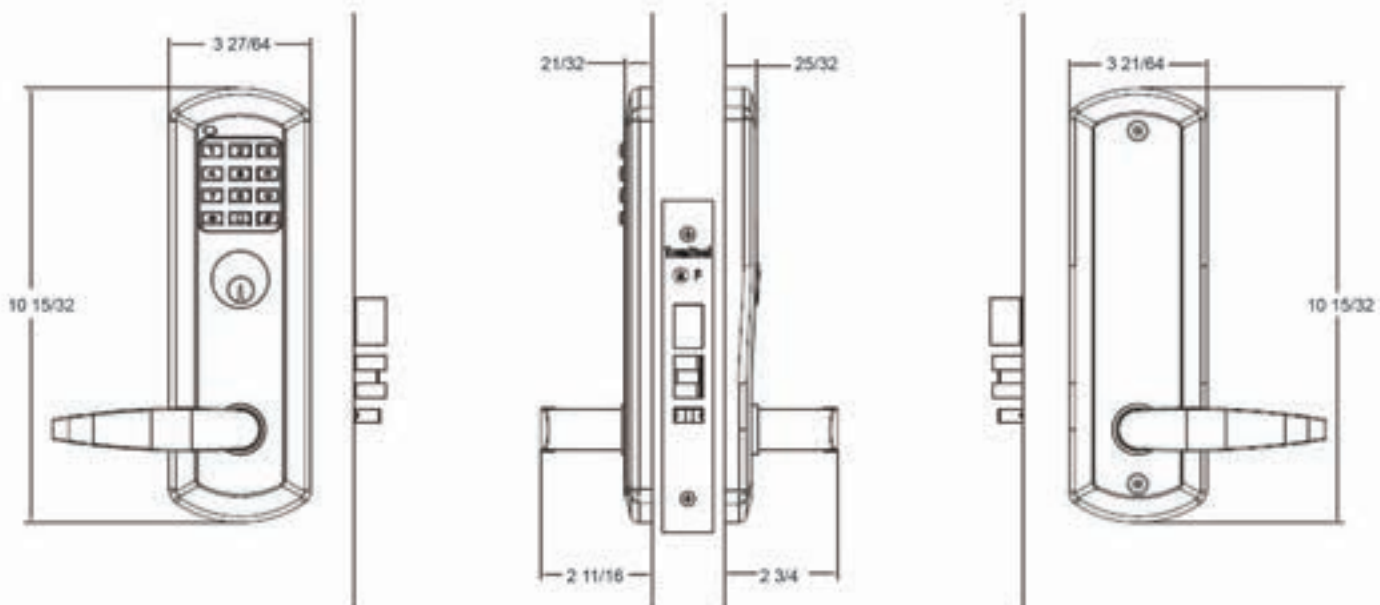
- Schlage "C" keyway, brass 6pin cylinder standard
- SFIC, with or without core available , 6 or 7 pin core
- Schlage® LFIC less core, Corbin® LFIC less core available
- High security cylinder available, TownSteel "L" keyway, 6 pin
- High security SFIC core available, TownSteel "L" keyway, 7 pin
- KD keying standard, KA, MK, GMK, GGMK and construction keying available
- 10-year Manufacturer's Limited Warranty on mechanical, 1-year on electronic

## Code Compliance

<b>ANSI/BHMA A156.13</b>	A156.13-2012 Grade 1 Certified
<b>ANSI/BHMA A156.25</b>	Complies with A156.25 Grade 1
<b>UL/ULC</b>	UL 10C 3-hour rated
<b>BAA</b>	Meets guidelines of the Buy American Act
<b>ADA</b>	Meets requirements of the Americans with Disabilities Act
<b>RoHS</b>	Meets requirements of EU RoHS Directive 2002/95/EC
<b>FCC</b>	FCC part 15 certified



## Profile



# XADB™ 2000

MORTISE WITH KEYPAD TECHNOLOGY



## How to order

XADB - - -

### Series:

- XADB-2050 Rigid Trim
- XADB-2060 Clutched Trim
- XADB-2070 Rigid Trim w/High Security Cylinder
- XADB-2080 Clutched Trim w/High Security Cylinder

### Lever Style:

- S Sentinel
- Q Quest
- G Gala

### Finishes:

- US26D
- US10B

### Keying/Cylinder:

Specify when ordering

# XADB™ 3000 MORTISE WITH RFID TECHNOLOGY



## Introduction

The XADB™ 3000 is a standalone electronic lock with security afforded by using grade 1 heavy duty mortise lockset. RFID keycard technology simplifies the management of the system and provides ease of use. Maximum keycard capacity is 250 user codes per lock.

Dead bolt projects automatically when closing the door. Rotating lever inside retracts both bolts. Key override may be used to gain access to the room if necessary. The locking system is operated by 4 AA batteries and is not affected by power outages.

## Electronic Specifications

- Standalone RFID mortise lock
- Non-volatile memory (setting is not deleted ever if power off)
- Less than 0.5 second credential verification time
- 3/4" maximum keycard read/write time
- Maximum 250 user keycards per lock, encrypted keycard
- Approximately 40,000 activations on 4 AA batteries in normal conditions
- Low battery warning
- -31° to 151°F operating temperature

## Mechanical Specifications

- ANSI/BHMA grade 1 mortise Lockset
- UL 3-hour rated
- Lever return less than 1/2"
- Backset 2-3/4"
- Door thickness: 1-3/4", other upon request

# XADB™ 3000



## MORTISE WITH RFID TECHNOLOGY

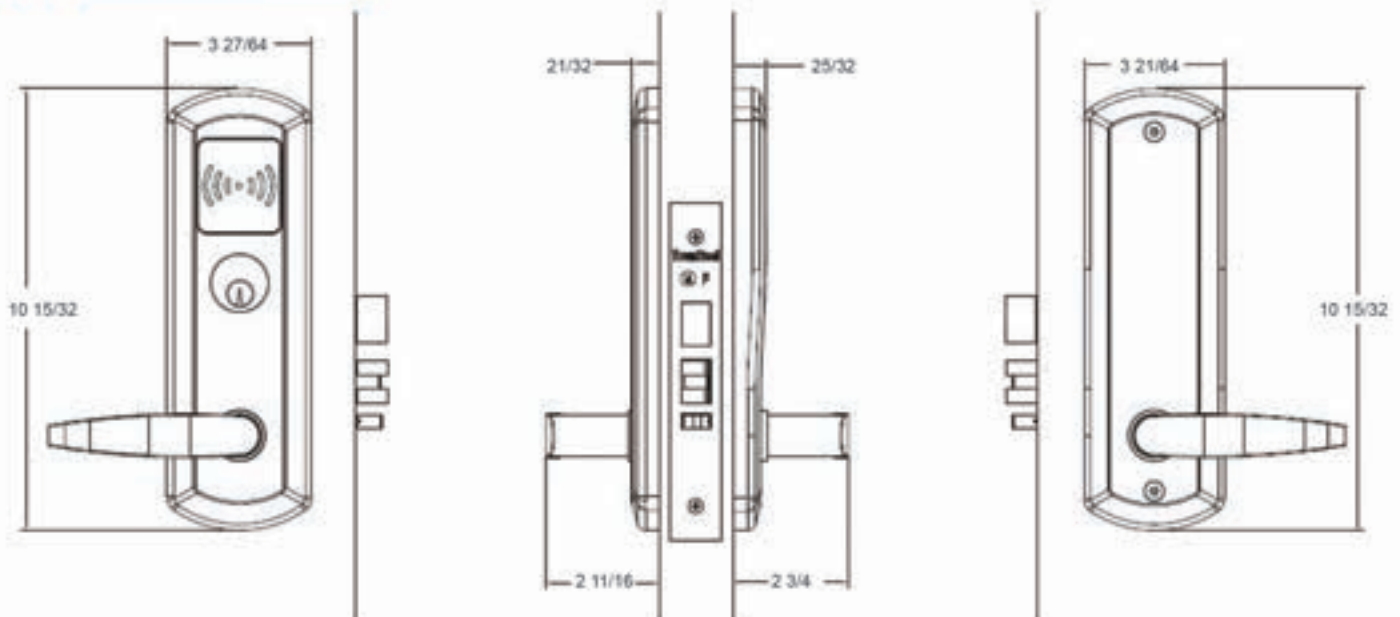
- Stainless steel deadbolt with 1" throw, anti-saw hardened pins
- Stainless steel latch bolt, 3/4" projection, split
- ASA strike, stainless steel or plated
- Handing is field reversible
- US26D and US10B stocked finishes, other upon request
- Schlage "C" keyway, brass 6pin cylinder standard
- SFIC, with or without core available, 6 or 7 pin core
- Schlage® LFIC less core, Corbin® LFIC less core available
- High security cylinder available, TownSteel "L" keyway, 6pin
- High security SFIC core available, TownSteel "L" keyway, 7pin
- KD, KA, MK, GGMK and construction keying available
- 10-year Manufacturer's Limited Warranty on mechanical, 1-year on electronic

## Code Compliance

<b>ANSI/BHMA A156.13</b>	A156.13-2012 Grade 1 Certified
<b>ANSI/BHMA A156.25</b>	Complies with A156.25 Grade 1
<b>UL/ULC</b>	UL 10C 3-hour rated
<b>BAA</b>	Meets guidelines of the Buy American Act
<b>ADA</b>	Meets requirements of the Americans with Disabilities Act
<b>RoHS</b>	Meets requirements of EU RoHS Directive 2002/95/EC
<b>FCC</b>	FCC part 15 certified



## Profile





How to order

XADB - - -

Series:

- XADB-3050 Rigid Trim
- XADB-3060 Clutched Trim
- XADB-3070 Rigid Trim w/High Security Cylinder
- XADB-3080 Clutched Trim w/High Security Cylinder

Lever Style:

- S Sentinel
- Q Quest
- G Gala

Finishes:

- US26D
- US10B

Keying/Cylinder:

Specify when ordering

# ELECTRIFIED MORTISE LOCK



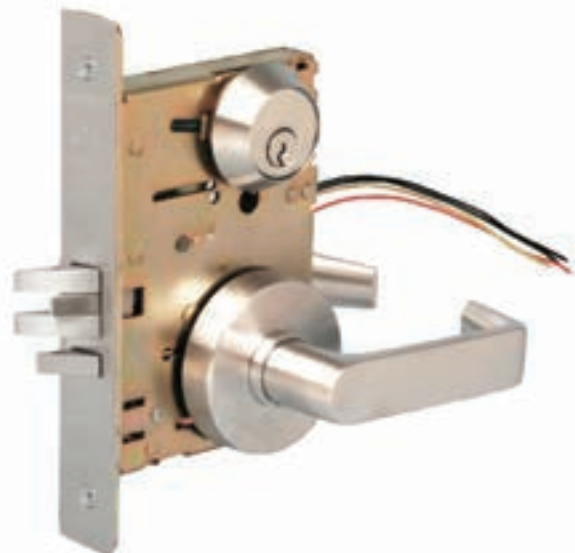
ANSI/BHMA CERTIFIED GRADE 1 MORTISE LOCKSET  
UL & ULC LISTED 3-HOUR FIRE RATING

## Overview

TownSteel Electrified Mortise Locks are designed to handle single opening, stand alone applications, or can be readily integrated into sophisticated access control systems. They meet ANSI A156.13 Grade 1 requirements, and are UL listed.



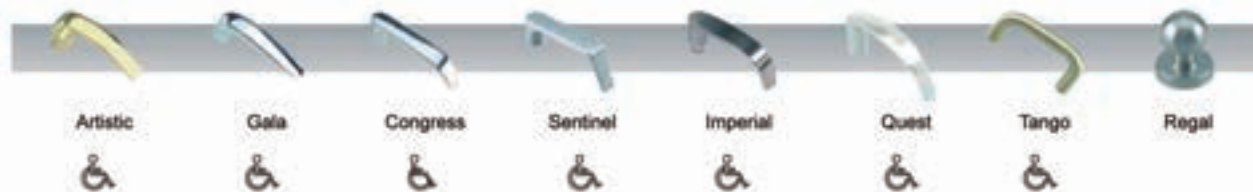
MSE



MSS

Note: Available with I.C and security cylinder

## Available Levers



# ELECTRIFIED MORTISE LOCK

ANSI/BHMA CERTIFIED GRADE 1 MORTISE LOCKSET  
UL & ULC LISTED 3-HOUR FIRE RATING

## Features

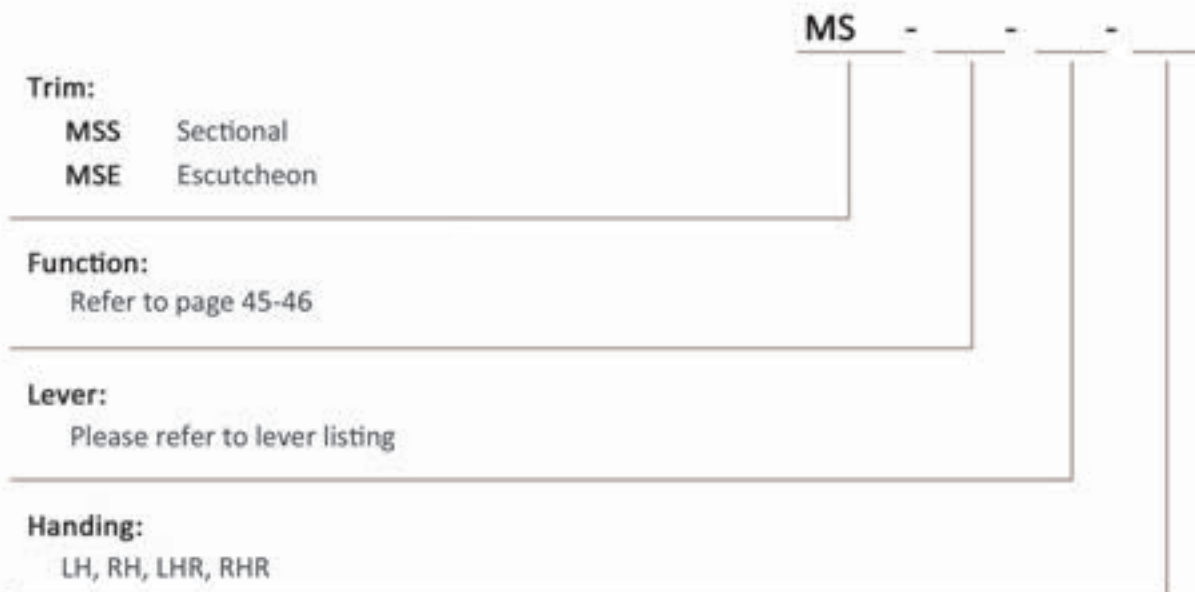
- 24VDC or 12VDC voltage
- Handing field reversible
- 3 Monitoring capabilities
  - UL listed 3-hour fire rating
  - Meets or exceeds ANSI grade 1 standards
- For new or retrofit applications
- Heavy-duty mortise lock
  - UL listed 3-hour fire rating
  - Meets or exceeds ANSI grade 1 standards
- Forged brass or stainless steel escutcheon
- 7 Solid-touch grip levers and knob to choose from
  - Levers made of forged brass or stainless steel
  - Grade 1 knob with steel insert
- Easy installation, easy servicing
- 3-year manufacturer's warranty



## Available Finishes

US3(605)	US4(606)	US10(612)	US10B(613)	US26(625)	US26D(626)	US32(629)	US32D(630)
Bright Brass	Satin Brass	Satin Bronze	Oil Rubbed Bronze	Bright Chrome	Satin Chrome	Bright SST	Satin SST

## How to order





### Electronic Specifications

- 24VDC or 12VDC
- Fail Safe or Fail Secure
- 3 Monitoring capabilities
  - Request - For - Exit
  - Door Position
  - Latch Position

### Mechanical Specifications

- ANSI Grade 1 heavy duty mortise lock with 5-point ligature resistant arch trim
- Backset 2-3/4"
- Door thickness: 1-3/4" standard, other upon request
- Stainless steel arch trim
- Stainless steel latch bolt, split, anti-friction, 3/4" throw
- Stainless steel dead bolt, with anti-saw pins, 1" projection
- Stainless steel ADA thumb turn standard
- Stainless steel ANSI strike
- Tamper resistant stainless steel mounting screws
- Handed
- Schlage® "C" keyway, brass 6 pin cylinder standard
- SFIC with or less core available, 6 or 7 pin core
- Schlage® LFIC less core available
- Corbin® LFIC less core available



# XMRXA ELECTRIFIED LIGATURE RESISTANT MORTISE LOCK

- High security cylinder available, TownSteel "L" keyway, 6 pin
- High security SFIC core available, TownSteel "L" keyway, 7 pin
- KD, KA, MK, GMK, GGMK and construction keying available
- Available finish: US32D
- 10-year Manufacturer's Limited Warranty

## Code Compliance

- ANSI/BHMA A156.13: A156.13-2012 Grade 1 Certified
- UL/ULC: UL10C Listed 3-Hour Fire Rating
- BAA: Meets requirements of The Buy American Act
- ADA: Meets requirement of The Americans with Disabilities Act
- OMH: OMH of New York State Approved



## How to order

### Trim:

**XMRA** Electrified Ligature Resistant Lever Mortise with Arch Trim

### Function:

Refer to page 45-46

### Handing:

LH, RH, LHR, RHR

### Keying/Cylinder

Specify when ordering

XMRA - - -

## Important Note

It is TownSteel's position that if any of our keyed locks are to be used less cylinder, whether I.C. or standard, and another manufacturer's cylinder is to be used in place of the TownSteel's original manufacturer's cylinder, that a sample of that product be provided to TownSteel in advance for testing.

# XMRXK

## ELECTRIFIED LIGATURE RESISTANT MORTISE LOCK



### Electronic Specifications

- 24VDC or 12VDC
- Fail Safe or Fail Secure
- 3 Monitoring capabilities
  - Request - to - Exit
  - Door Position
  - Latch Position

### Mechanical Specifications

- ANSI Grade 1 heavy duty mortise lock with ligature resistant safety knob trim
- Escutcheon (XMRX-E-K) or sectional (XMRX-S-K) trim set
- Backset 2-3/4"
- Door thickness: 1-3/4" standard, other upon request
- Stainless steel knob trim
- Stainless steel latch bolt, split, anti-friction, 3/4" throw
- Stainless steel dead bolt, with anti-saw pins, 1" projection
- Stainless steel thumb turn
- Stainless steel ANSI strike
- Tamper resistant stainless steel mounting screws
- Handing field reversible without opening mortise cover
- Schlage "C" keyway, brass 6 pin cylinder standard
- SFIC with or less core available, 6 or 7 pin core
- Schlage® LFIC less core available
- Corbin® LFIC less core available
- High security cylinder available, TownSteel "L" keyway, 6 pin

# XMRXK ELECTRIFIED LIGATURE RESISTANT MORTISE LOCK

- High security SFIC core available, TownSteel "L" keyway, 7 pin
- Keyed Different standard , KA, MK, GMK, GGMK and construction keying available
- Available finish: US32D
- 10-year Manufacturer's Limited Warranty

## Code Compliance

- ANSI/BHMA A156.13: A156.13-2012 Grade 1 Certified
- UL/ULC: UL10C Listed 3-Hour Fire Rating
- BAA: Meets requirements of The Buy American Act
- OMH: OMH of New York State Approved



## How to order









	XMRX	-	-	-
<b>Trim:</b>				
<b>XMRX-E-K</b>	Electrified Ligature Resistant Mortise - Escutcheon Trim with Knob			
<b>XMRX-S-K</b>	Electrified Ligature Resistant Mortise - Sectional Trim with Knob			
<b>Function:</b>				
Refer to page 45-46				
<b>Keying/Cylinder</b>				
Specify when ordering				

## Important Note

It is TownSteel's position that if any of our keyed locks are to be used less cylinder, whether I.C. or standard, and another manufacturer's cylinder is to be used in place of the Townsteel's original manufacturer's cylinder, that a sample of that product be provided to TownSteel in advance for testing.

# MS Series Mortise Lock with **Electrified** Mortise Chassis









## Functions

Outside	Inside	Series/ Function	Type	ANSI No.	Function Description
		MSS-121 MSE-121	12VDC Fail Safe, 3-position monitoring	N/A	12VDC voltage, fail safe, Monitors Request-to-Exit, Door Position Status and Latch Position Status. Latch bolt is operated by lever from either side when no power is supplied. Powering unit locks outside lever. When locked, latch bolt can be retracted by key. Auxiliary latch bolt.
		MSS-122 MSE-122	12VDC Fail Secure 3-position monitoring	N/A	12VDC voltage, fail secure, Monitors Request-to-Exit, Door Position Status and Latch Position Status. Powered unit latch bolt is operated by lever from either side. When no power is applied outside lever is locked. When locked, latch bolt can be retracted by key. Auxiliary latch bolt.
		MSS-121DB MSE-121DB	12VDC Fail Safe Dead Bolt RQE	N/A	12VDC voltage, fail safe, with Dead Bolt, Monitors Request-to-Exit. Latch bolt is operated by lever from either side when no power is supplied. Powering unit locks outside lever. Dead bolt can be operated from outside with key and inside by thumb turn. When locked, latch bolt can be retracted by key. Rotating inside lever retracts both bolts. Auxiliary latch bolt.
		MSS-122DB MSE-122DB	12VDC Fail Secure Dead Bolt RQE	N/A	12VDC voltage, fail secure, with Dead Bolt, Monitors Request-to-Exit. Powered unit latch bolt is operated by lever from either side. When no power is applied outside lever is locked. Dead bolt can be operated from outside with key and inside by thumb turn. When locked, latch bolt can be retracted by key. Rotating inside lever retracts both bolts. Auxiliary latch bolt.
		MSS-121DC MSE-121DC	12VDC Fail Safe Dead Bolt RQE	N/A	12VDC voltage, fail safe, with Dead Bolt, Monitors Request-to-Exit. Latch bolt is operated by lever from either side when no power is supplied. Powering unit locks outside lever. Dead bolt can be operated from inside and outside with key. When locked, latch bolt can be retracted by key. Rotating inside lever retracts both bolts. Auxiliary latch bolt.
		MSS-122DC MSE-122DC	12VDC Fail Secure Dead Bolt RQE	N/A	12VDC voltage, fail secure, with Dead Bolt, Monitors Request-to-Exit. Powered unit latch bolt is operated by lever from either side. When no power is applied outside lever is locked. Dead bolt can be operated from inside and outside with key. When locked, latch bolt can be retracted by key. Rotating inside lever retracts both bolts. Auxiliary latch bolt.
		MSS-121RQE MSE-121RQE	12VDC Fail Safe RQE	N/A	12VDC voltage, fail safe, Monitors Request-to-Exit. Latch bolt is operated by lever from either side when no power is supplied. Powering unit locks outside lever. When locked, latch bolt can be retracted by key from outside. Auxiliary latch bolt.
		MSS-122RQE MSE-122RQE	12VDC Fail Secure RQE	N/A	12VDC voltage, fail secure, Monitors Request-to-Exit. Powered unit latch bolt is operated by lever from either side. When no power is applied, outside lever is locked. When locked, latch bolt can be retracted by key from outside. Auxiliary latch bolt.



# MS Series Mortise Lock with **Electrified** Mortise Chassis

## Functions

Outside	Inside	Series/ Function	Type	ANSI No.	Function Description
		MSS-241 MSE-241	24VDC Fail Safe 3-position monitoring	N/A	24VDC, fail safe, Monitors Request-to-Exit, Door Position Status and Latch Position Status. Latch bolt is operated by lever from either side when no power is supplied. Powering unit locks outside lever. When locked, the latch bolt can be retracted by key. Auxiliary latch bolt.
		MSS-242 MSE-242	24VDC Fail Secure 3-position monitoring	N/A	24VDC, fail secure, Monitors Request-to-Exit, Door Position Status and Latch Position Status. Powered unit latch bolt is operated by lever from either side. When no power is applied outside lever is locked. When locked, latch bolt can be retracted by key. Auxiliary latch bolt.
		MSS-241DB MSE-241DB	24VDC Fail Safe Dead Bolt RQE	N/A	24VDC voltage, fail safe, with Dead Bolt, Monitors Request-to-Exit. Latch bolt is operated by lever from either side when no power is supplied. Powering unit locks outside lever. Dead bolt can be operated from outside with key and inside by thumb turn. When locked, latch bolt can be retracted by key. Rotating inside lever retracts both bolts. Auxiliary latch bolt.
		MSS-242DB MSE-242DB	24VDC Fail Secure Dead Bolt RQE	N/A	24VDC voltage, fail secure, with Dead Bolt, Monitors Request-to-Exit. Powered unit latch bolt is operated by lever from either side. When no power is applied outside lever is locked. Dead bolt can be operated from outside with key and inside by thumb turn. When locked, latch bolt can be retracted by key. Rotating inside lever retracts both bolts. Auxiliary latch bolt.
		MSS-241DC MSE-241DC	24VDC Fail Safe Dead Bolt RQE	N/A	24VDC voltage, fail safe, with Dead Bolt, Monitors Request-to-Exit. Latch bolt is operated by lever from either side when no power is supplied. Powering unit locks outside lever. Dead bolt can be operated from inside and outside with key. When locked, latch bolt can be retracted by key. Rotating inside lever retracts both bolts. Auxiliary latch bolt.
		MSS-242DC MSE-242DC	24VDC Fail Secure Dead Bolt RQE	N/A	24VDC voltage, fail secure, with Dead Bolt, Monitors Request-to-Exit. Powered unit latch bolt is operated by lever from either side. When no power is applied outside lever is locked. Dead bolt can be operated from inside and outside with key. When locked, latch bolt can be retracted by key. Rotating inside lever retracts both bolts. Auxiliary latch bolt.
		MSS-241RQE MSE-241RQE	24VDC Fail Safe RQE	N/A	24VDC voltage, fail safe, Monitors Request-to-Exit. Latch bolt is operated by lever from either side when no power is supplied. Powering unit locks outside lever. When locked, latch bolt can be retracted by key from outside. Auxiliary latch bolt.
		MSS-242RQE MSE-242RQE	24VDC Fail Secure RQE	N/A	24VDC voltage, fail secure, Monitors Request-to-Exit. Powered unit latch bolt is operated by lever from either side. When no power is applied, outside lever is locked. When locked, latch bolt can be retracted by key from outside. Auxiliary latch bolt.

# XCDC



## ELECTRIFIED GRADE 1 CYLINDRICAL



### Specifications

<b>Door Thickness</b>	1 - 3/8" - 2" (35mm - 51mm)
<b>Backset</b>	2 - 3/4" (70mm, standard), 2 - 3/8" (60mm), 3 - 3/4" (95mm), 5.0" (127mm)
<b>Latch</b>	Stainless steel powder metallurgy latch bolt with 1/2" (12.7mm) throw. Anti - friction fire door latch with 3/4" (19mm) throw also available
<b>Cylinder</b>	6 pin solid brass cylinder. Schlage "C" Keyway
<b>SFIC</b>	Available with or without core on Sentinel lever
<b>Schlage LFIC</b>	Available in less core on Sentinel lever
<b>Available Finish</b>	US26D and US10B
<b>Available Lever</b>	Sentinel, Gala and Quest
<b>Input</b>	12VDC or 24VDC
<b>RX Switch</b>	Request - to - Exit standard
<b>Fail Secure</b>	Available
<b>Fail Safe</b>	Available

### Code Compliance

- ANSI/BHMA A156.2 Grade 1 Certified
- UL: UL 10C 3 - Hour rated
- BAA: Meets guidelines of The Buy American Act
- ADA: Meets guidelines of The American with Disabilities Act



### How to order

XCDC - - - -

**Series:**

- XCDC XCDC with conventional core
- XCDCI XCDC with SFIC less core

**Function:**

- 8612 12V Fail Safe
- 8614 24V Fail Safe
- 8622 12V Fail Secure
- 8624 24V Fail Secure

**Lever:**

- S Sentinel
- Q Quest
- G Gala

**Finishes:**

- US26D Satin Chrome
- US10B Powder Coat

**Keying/Cylinder**

Specify when ordering



---

**TownSteel Inc.**

17901 Railroad Street, City of Industry, CA 91748

Toll Free: (877) 858-0888

Tel: (626) 965-8917

Fax: (626) 965-8919

[sales@townsteel.com](mailto:sales@townsteel.com)