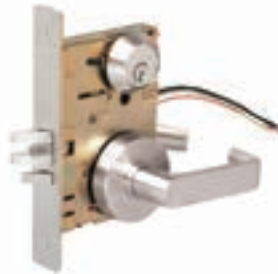


Product Showcase

Aug 2016



Index

Mortise Lock	
RM2000 Series	3
RMX2000 Series	4
Cylindrical Lock	
RC6000 Series	5
RC4000 Series	6
RC2000 Series	7
Exit Device	
RE9000 Series	8
RE6000 Series	12
RE5000 Series	14
RE7000 Series	16
Door Closer	
RDC4000	18
RDC8700	19
RDC7500	20
RDC7090	21
Digital Lock	
200 Series	22
300 Series	26
400 Series	30
900 Series	32
Designer Series Mortise Lock	34
Designer Series Tubular Lock	35
Flushbolt	
RFB200	36
RFB100	37
Hinge	38
Fire Door Viewer	39
General Hardware	40
Retrofit Solutions	
REM2000 Series	42
REM9000 Series	43
REF2000 Series	44
REF3000 Series	45
REF4000 Series	46
RMU	47
RMT	48
RMS	49
RMF	50
RRXA	51
RC	52
RB	53
TS	54
RCU200	55

Company Introduction

RetroLock is a Woman Owned-Minority commercial door hardware manufacturer and supplier with headquarters located in the City of Industry, California. It specializes in retrofitting mortise locks for new or existing applications with a full commercial hardware line. RetroLock provides a low-cost solution, reduces installation time and is earth friendly by allowing the reuse of material. It also distributes ANSI/BHMA and UL, DHI certified commercial door hardware including standalone Keypad Locks, standalone RFID Locks, Mechanical Cylindrical Locks, Door Closers, Exit Devices and other General Door Hardware. Current customers include schools, offices, behavioral facilities, nursing homes and hospitals.

RETROLOCK™
Design + Build Door Hardware

■ RM2000 Series



RM2000E



RM2000S



RM2000EI



RM2000SI



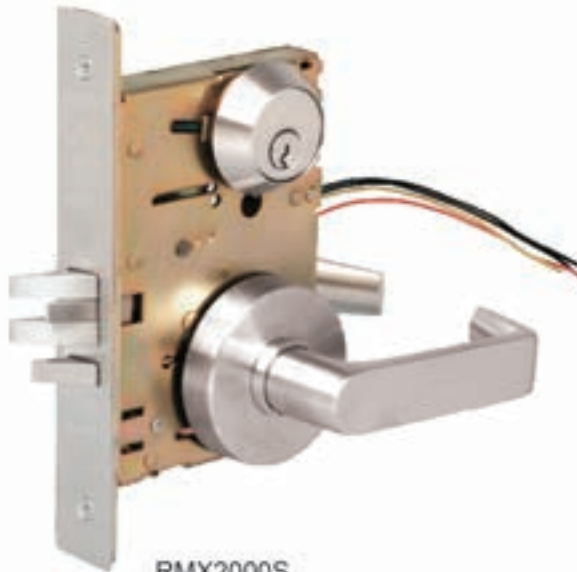
RM2000 Series Mechanical Mortise Lock

ANSI/BHMA	ANSI/BHMA A156.13-2012 Grade 1 certified
UL	UL 10C 3-Hour rated
BAA	Meet requirements of The Buy American Act
ADA	All lever designs meet guidelines of The Americans with Disabilities Act
Function	Most ANSI functions available
Finish	US26D and US32D stocked, other upon request
Cylinder	Conventional, SFIC, Schlage® LFIC Less Core, Corbin® LFIC Less Core, High Security



MORTISE LOCK

■ RMX2000 Series



RMX2000S



RMX2000E

RMX2000 Series Electrified Mortise Lock

ANSI/BHMA	ANSI/BHMA A156.13-2012 Grade 1 certified
UL	UL 10C 3-Hour rated
BAA	Meet requirements of The Buy American Act
ADA	All lever designs meet guidelines of The Americans with Disabilities Act
Finish	US26D and US32D stocked, other upon request
Cylinder	Conventional, SFIC, Schlage® LFIC Less Core, Corbin® LFIC Less Core, High Security
Input Voltage	12VDC or 24VDC. Fail Secure or Fail Safe
Monitoring Capability	Door Position, Request-to-Exit, Latch Position



RC6000 Series

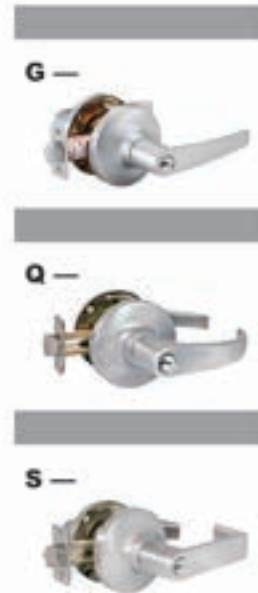


RC6000 Series Cylindrical Lock

- ANSI/BHMA** A156.2-2011 4000 Grade 1 Series Certified
- UL** UL 10C 3-hour rated
- BAA** Meet requirements of The Buy American Act
- ADA** All lever designs meet guidelines of The Americans with Disabilities Act
- Function** ANSI F-75, 76, 77, 80, 82, 84, 86, 87, 89, 90, 91, 109, 110
- Finish** US26D, US10B and US32D stocked, other upon request
- Cylinder** Conventional, SFIC, Schlage® LFIC Less Core, Corbin® LFIC Less Core, High Security
- Clutch** Available in US32D and US32 only



RC4000 Series



RC4000 Series Cylindrical Lock

ANSI/BHMA	A156.2-2011 4000 Grade 1 Series Certified
UL	UL 10C 3-hour rated
BAA	Meet requirements of The Buy American Act
ADA	All lever designs meet guidelines of The Americans with Disabilities Act
Function	ANSI F-75, 76, 84, 86, 87, 90, 109, 110, Single Dummy, Pair Dummy
Finish	US26D and US10B stocked, other upon request
Cylinder	Conventional, SFIC, Schlage® LFIC Less Core
Clutch	Standard. Rigid available



■ RC2000 Series



RC2000 Series Cylindrical Lock

ANSI/BHMA	Comply with ANSI/BHMA A156.2 Grade 2
UL	UL 10C 3-hour rated
BAA	Meet requirements of the Buy American Act
ADA	Meet requirements of the Americans with Disability Act
Function	ANSI F-75, 76,84,86,109
Finish	US26D and US10B stocked
Clutch	Standard



RE9100/9100F



RE200 Series



RE100 Series

ANSI/BHMA Certified Grade 1 Rim Device

RE9100 - *Panic Device*

RE9100F - *Fire Device*

- ANSI/BHMA** Certified to ANSI A156.3-2008 Grade 1
- UL** RE9100F UL listed 3 hour fire, conforms to UL10C and UBC7-2
RE9100 UL listed for UL305
- BAA** Meet requirements of The Buy American Act
- NFPA80** RE9100F complies with NFPA80 Fire Doors and Windows
- NFPA101** Devices and trims comply with NFPA101 life safety code
- FINISH**
- Device: US32D and US10B stocked
- Trim: US32D (RE200 Series), US26D (RE100 Series) and
US10B (RE100 Series) stocked



EXIT DEVICE

RE9200/9200F



RE200 Series



RE100 Series

ANSI/BHMA Certified Grade 1 Surface Vertical Rod Device

RE9200 - *Panic Device*

RE9200F - *Fire Device*

- ANSI/BHMA** Certified to ANSI A156.3-2008 Grade 1
- UL** RE9200F UL listed 3 hour fire, conforms to UL10C and UBC7-2
RE9200 UL listed for UL305
- BAA** Meet requirements of The Buy American Act
- NFPA80** RE9200F complies with NFPA80 Fire Doors and Windows
- NFPA101** Devices and trims comply with NFPA101 life safety code
- FINISH**
- Device: US32D and US10B stocked
- Trim: US32D (RE200 Series), US26D (RE100 Series) and
US10B (RE100 Series) stocked
- LBR** Less-Bottom-Rod available



EXIT DEVICE

RE9300/9300F



RE200 Series



RE100 Series

ANSI/BHMA Certified Grade 1 Concealed Vertical Rod Device

RE9300 - Panic Device

RE9300F - Fire Device

ANSI/BHMA	Certified to ANSI A156.3-2008 Grade 1
UL	RE9300F UL listed 3 hour fire, conforms to UL10C and UBC7-2 RE9300 UL listed for UL305
BAA	Meet requirements of The Buy American Act
NFPA80	RE9300F complies with NFPA80 Fire Doors and Windows
NFPA101	Devices and trims comply with NFPA101 life safety code
FINISH	
	Device: US32D and US10B stocked
	Trim: US32D (RE200 Series), US26D (RE100 Series) and US10B (RE100 Series) stocked



EXIT DEVICE

RE9400/9400F



RE200 Series



RE100 Series

ANSI/BHMA Certified Grade 1 Mortise Device

RE9400 - Panic Device

RE9400F - Fire Device

- ANSI/BHMA** Certified to ANSI A156.3-2008 Grade 1
- UL** RE9400F UL listed 3 hour fire, conforms to UL10C and UBC7-2
RE9400 UL listed for UL305
- BAA** Meet requirements of The Buy American Act
- NFPA80** RE9400F complies with NFPA80 Fire Doors and Windows
- NFPA101** Devices and trims comply with NFPA101 life safety code
- FINISH**
- Device: US32D and US10B stocked
- Trim: US32D (RE200 Series), US26D (RE100 Series) and
US10B (RE100 Series) stocked



EXIT DEVICE

RE6100/6100F



RE500 Series



RE600 Series



RE700 Series

ANSI/BHMA Certified Grade 1 Rim Device

RE6100 - Panic Device

RE6100F - Fire Device

- ANSI/BHMA** ANSI/BHMA A156.3 Grade 1 certified
- UL** RE6100 UL listed for Panic Exit Hardware, and UL10, UBC 7-2-1997 Codes
RE6100F UL 10C listed for Fire Exit Hardware for 3 hours
- BAA** Meet requirements of The Buy American Act
- NFPA80** RE6100F complies with NFPA80 Fire Doors and Windows
- NFPA101** Devices and trims comply with NFPA101 life safety code
- FINISH**
- Device: US32D, Aluminum, Duro Stocked
- Trim: US26D available in RE500 and RE600 Series
Duro available in RE500, RE600, RE700 Series
US32D available in RE700 Series



EXIT DEVICE

■ **RE6200/6200F**



ANSI/BHMA Certified Grade 1 Surface Vertical Rod Device

- RE6200** - Panic Device
- RE6200F** - Fire Device

ANSI/BHMA ANSI/BHMA A156.3 Grade 1 Certified
UL RE6200 UL listed for Panic Exit Hardware, and UL10, UBC 7-2-1997 Codes
 RE6200F UL 10C listed for Fire Exit Hardware for 3 hours
BAA Meet requirements of The Buy American Act
NFPA80 RE6200F complies with NFPA80 Fire Doors and Windows
NFPA101 Devices and trims comply with NFPA101 life safety code
FINISH
 Device: US32D, Aluminum, Duro Stocked
 Trim: US26D available in RE500 and RE600 Series
 Duro available in RE500, RE600, RE700 Series
 US32D available in RE700 Series



EXIT DEVICE

RE5100/5100F



RE300 Series

RE400 Series

Grade 2 Rim Device

RE5100 - Panic Device

RE5100F - Fire Device

- ANSI/BHMA** Comply with ANSI/BHMA A156.3 Grade 2
- UL** RE5100 listed for Panic Hardware
RE5100F listed for Fire Exit Hardware
- BAA** Meet requirements of The Buy American Act
- NFPA80** RE5100 complies with NFPA80 Fire Doors and Windows
- NFPA101** Devices and trims comply with NFPA101 life safety code
- FINISH**
- Device: US32D, Aluminum and Duro Stocked
Trim: US26D and Duro Stocked



EXIT DEVICE

RE5200/5200F



RE300 Series

RE400 Series

Grade 2 Surface Vertical Rod Device

- ANSI/BHMA** Comply with ANSI/BHMA A156.3 Grade 2
- UL** RE5200 listed for Panic Hardware
RE5200F listed for Fire Exit Hardware
- BAA** Meet guidelines of The Buy American Act
- NFPA80** RE5200F complies with NFPA80 Fire Doors and Windows
- NFPA101** Devices and trims comply with NFPA101 life safety code
- FINISH**
 - Device: US32D, Aluminum and Duro Stocked
 - Trim: US26D and Duro Stocked



EXIT DEVICE

RE7100



RE800 Series

Grade 1 Rim Device, Narrow Style

ANSI/BHMA	Comply with ANSI/BHMA A156.3 Grade 1
UL	Listed Panic and Safety for all types of 4'x8' single and 8'x8' double doors
BAA	Meet guidelines of The Buy American Act
NFPA101	Device and trim comply with NFPA101 life safety code
FINISH	
	Device: US32D and US10B Stocked
	Trim: US26D and US10B Stocked



EXIT DEVICE

RE7300



RE900 Series

Grade 1 Concealed Vertical Rod Device, Narrow Style

- ANSI/BHMA** Comply with ANSI/BHMA A156.3 Grade 1
- UL** Listed Panic and Safety for all types of 4'x8' single and 8'x8' double doors
- BAA** Meet guidelines of The Buy American Act
- NFPA101** Device and trim comply with NFPA101 life safety code
- FINISH**
 - Device: US32D and US10B Stocked
 - Trim: US26D and US10B Stocked



EXIT DEVICE

■ RDC4000



ANSI/BHMA Certified Grade 1 Door Closer

ANSI/BHMA	ANSI/BHMA A156.4 Grade 1 certified
UL	UL & ULC 10C 3-Hour Rated
BAA	RDC 740-BAA model meets guidelines of the Buy American Act
ADA	Adjustable to meet requirements of the Americans with Disabilities Act
FINISH	Aluminum and Duro stocked



RDC8700**ANSI/BHMA Certified Grade 1 Door Closer**

ANSI/BHMA	ANSI/BHMA A156.4 Grade 1 certified
UL	UL & ULC listed
BAA	RDC8700-BAA model meets guidelines of the Buy American Act
ADA	RDC8700-BF model meets requirements of the Americans with Disabilities Act
FINISH	Aluminum and Duro stocked

**DOOR CLOSER**

■ RDC7500



ANSI/BHMA Certified Grade 1 Door Closer

ANSI/BHMA	ANSI/BHMA A156.4 Grade 1 certified
UL	UL & ULC listed
BAA	RDC 785-BAA model meets guidelines of the Buy American Act
ADA	Adjustable to meet requirement of the Americans with Disabilities Act
FINISH	Aluminum and Duro stocked



■ RDC7090**Grade 1 Door Closer**

ANSI/BHMA	Comply with ANSI/BHMA A156.4 Grade 1
UL	UL & ULC listed
ADA	RDC7500-BAA model meet requirements of the Americans with Disabilities Act
FINISH	Aluminum and Duro stocked

**DOOR CLOSER**

RCK200



ANSI/BHMA Certified Grade 1 Digital Keypad Cylindrical Lock

ANSI/BHMA A156.2	ANSI/BHMA A156.2-2011 Grade 1 certified
ANSI/BHMA A156.25	Comply with ANSI/BHMA A156.25 Grade 1
UL/ULC	UL10C 3-hour rated
BAA	Meet guidelines of the Buy American Act



■ RMK200



ANSI/BHMA Certified Grade 1 Digital Keypad Mortise Lock

- | | |
|--------------------------|--|
| ANSI/BHMA A156.13 | ANSI/BHMA A156.13-2012 Grade 1 certified |
| ANSI/BHMA A156.25 | Comply with ANSI/BHMA A156.25 Grade 1 |
| UL/ULC | UL10C 3-hour rated |
| BAA | Meet guidelines of the Buy American Act |



RCF200



ANSI/BHMA Certified Grade 1 Proximity Cylindrical Lock

ANSI/BHMA A156.2	ANSI/BHMA A156.2-2011 Grade 1 certified
ANSI/BHMA A156.25	Comply with ANSI/BHMA A156.25 Grade 1
UL/ULC	UL10C 3-hour rated
BAA	Meet guidelines of the Buy American Act
FCC	FCC part 15 certified



■ RMF200



ANSI/BHMA Certified Grade 1 Proximity Mortise Lock

- | | |
|--------------------------|--|
| ANSI/BHMA A156.13 | ANSI/BHMA A156.13-2012 Grade 1 certified |
| ANSI/BHMA A156.25 | Comply with ANSI/BHMA A156.25 Grade 1 |
| UL/ULC | UL10C 3-hour rated |
| BAA | Meet guidelines of the Buy American Act |



RCK300



ANSI/BHMA Certified Grade 1 Digital Keypad Remote-Open Cylindrical Lock

ANSI/BHMA A156.2	ANSI/BHMA A156.2-2011 Grade 1 certified
ANSI/BHMA A156.25	Meets or exceeds applicable requirements
FCC	FCC part 15 certified
UL/ULC	UL 10C Listed 3-Hour Fire Rating
BAA	Meets guidelines of the Americans with Disabilities Act
RoHS	Meets requirements of the Buy American Act



DIGITAL LOCK

■ RMK300



ANSI/BHMA Certified Grade 1 Digital Keypad Remote-Open Mortise Lock

ANSI/BHMA A156.13	ANSI/BHMA A156.13-2012 Grade 1 certified
ANSI/BHMA A156.25	Comply with ANSI/BHMA A156.25 Grade 1
UL/ULC	UL 10C 3-hour rated
BAA	Meets guidelines of the Buy American Act
FCC	FCC part 15 certified



DIGITAL LOCK

RCF300



ANSI/BHMA Certified Grade 1 Proximity Remote-Open Cylindrical Lock

ANSI/BHMA A156.2	ANSI/BHMA A156.2-2011 Grade 1 certified
ANSI/BHMA A156.25	Comply with ANSI/BHMA A156.25 Grade 1
FCC	FCC part 15 certified
UL/ULC	UL 10C Listed 3-Hour Fire Rating
BAA	Meets guidelines of the Americans with Disabilities Act



■ RMF300



ANSI/BHMA Certified Grade 1 Proximity Remote-Open Mortise Lock

ANSI/BHMA A156.13	ANSI/BHMA A156.13-2012 Grade 1 certified
ANSI/BHMA A156.25	Comply with ANSI/BHMA A156.25 Grade 1
FCC	FCC part 15 certified
UL/ULC	UL 10C Listed 3-Hour Fire Rating
BAA	Meets guidelines of the Americans with Disabilities Act



RCF400



ANSI/BHMA Certified Grade 1 Proximity Classroom Intruder Lockdown Cylindrical Lock

ANSI/BHMA A156.2	ANSI/BHMA A156.2-2011 Grade 1 certified
ANSI/BHMA A156.25	Comply with ANSI/BHMA A156.25 Grade 1
UL/ULC	UL 10C 3-hour rated
BAA	Meets guidelines of the Buy American Act
FCC	FCC part 15 certified



DIGITAL LOCK

■ RMF400



ANSI/BHMA Certified Grade 1 Proximity Classroom Intruder Lockdown Mortise Lock

ANSI/BHMA A156.13	ANSI/BHMA A156.13-2012 Grade 1 certified
ANSI/BHMA A156.25	Comply with ANSI/BHMA A156.25 Grade 1
UL/ULC	UL 10C 3-hour rated
BAA	Meets guidelines of the Buy American Act
FCC	FCC part 15 certified



DIGITAL LOCK

RCK900



ANSI/BHMA Certified Grade 1 Digital Keypad Classroom Intruder Lockdown Cylindrical Lock

ANSI/BHMA A156.2	ANSI/BHMA A156.2-2011 Grade 1 certified
ANSI/BHMA A156.25	Comply with ANSI/BHMA A156.25 Grade 1
UL/ULC	UL 10C 3-hour rated
BAA	Meets guidelines of the Buy American Act
FCC	FCC part 15 certified



DIGITAL LOCK

■ RMK900



ANSI/BHMA Certified Grade 1 Digital Keypad Classroom Intruder Lockdown Mortise Lock

ANSI/BHMA A156.13	ANSI/BHMA A156.13-2012 Grade 1 certified
ANSI/BHMA A156.25	Comply with ANSI/BHMA A156.25 Grade 1
UL/ULC	UL 10C 3-hour rated
BAA	Meets guidelines of the Buy American Act
FCC	FCC part 15 certified



DIGITAL LOCK

■ RM2000 Designer Series Mortise Lock



RM2000E-C



RM2000S-S



ANSI/BHMA Certified Grade 1 Mechanical Mortise Lock

ANSI/BHMA	ANSI/BHMA A156.13-2012 Grade 1 certified
UL	UL 10C 3-Hour rated
BAA	Meet requirements of The Buy American Act
ADA	All lever designs meet guidelines of The Americans with Disabilities Act
Function	All ANSI functions available
Finish	Consult factory for more options
Lever Design	Consult factory for more options



■ **RL Designer Series Tubular Lock**



Privacy



Passage



RL Designer Series Grade 2 Tubular Lock

- ANSI/BHMA A156.2** Comply with A156.2 Grade 2
- WH** Warnock Hersey 90 minutes rated
- BAA** Meet requirements of The Buy American Act
- ADA** All lever designs meet guidelines of The Americans with Disabilities Act
- Finish** Consult factory for more options
- Lever Design** Consult factory for more options



RFB200



RFB220



RFB210

RFB200 Series - Automatic Flushbolts

RFB220

for hollow metal door, with 1" vertical adjustment, 12" rod to fit standard ANSI preparation

RFB210

for wood door, with 7/8" vertical adjustment

- Automatic 3/4" throw
- Spring override in case of misalignment
- Steel body with stainless steel components
- UL listed up to 3 hours on hollow metal and steel covered composite doors up to 8 feet high
- US32D, US26D and US10B stocked finishes



FLUSHBOLT

■ RFB100



RFB120



RFB110

RFB100 - Manual Flushbolts

RFB120

for hollow metal door, with 7/8" throw with 7/8" vertical adjustment, 12" rod to fit standard ANSI preparation

RFB110

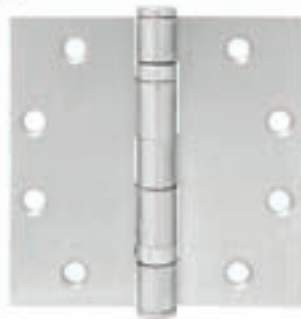
for wood door, with 5/8" throw with 7/8" vertical adjustment

- Spring loaded lever to project or retract bolt
- Forged brass
- UL listed
- US26D, US15 and US10B stocked finishes



FLUSHBOLT

Hinge



RH7BB



RH6BB



RH7PB



RH7SP

Standard and Heavy Duty Commercial Hinges

RH7PB

Plain Bearing Hinge, five knuckle non-rising removable pin, full mortise, available sizes - 4.5"x4", 4.5"x4.5", 5"x4.5", available finish - US26D, provided with wood and machine screws, steel with steel pin

RH7BB

Two Ball Bearing Hinge, five knuckle, non-rising removable pin, full mortise, available size - 4.5"x4", 4.5"x4.5, 5"x4.5", available finishes- US26D, US32D, provided with wood and machine screws, steel or stainless steel, specified as THBB179SS for stainless steel, Non-Removable-Pin feature available

RH6BB

Four Ball Bearing Hinge, five knuckle, non-rising removable pin, full mortise, available size - 4.5"x4", 4.5"x4.5, 5"x4.5", available finishes- US26D, US32D, provided with wood and machine screws, steel or stainless steel, specified as THBB168SS for stainless steel, Non-Removable-Pin feature available

RH7SP

UL listed Spring Hinge, full mortise, adjustable spring tension, available size - 4.5"x4.5, available finishes- US26D, provided with wood and machine screws, steel

■ Fire Door Viewer



RDV3315 (For Door Thickness 1-3/8"-2-1/4")



RDV3316 (For Door Thickness 1"-1-7/8")



RDV3315 / RDV3316 - Fire Door Viewers

RDV3315

- 200 Degree Viewing Area
- For Door Thickness 1-3/8" - 2 - 1/4"
- Polished Glass Lens
- UL Listed, for use with Classified fire doors rated up to and including 1-1/2 hour
- All Viewers Solid Cast Brass

RDV3316

- 200 Degree Viewing Area
- For Door Thickness 1" -1-7/8"
- Polished Glass Lens
- UL Listed, for use with Classified fire doors rated up to and including 1-1/2 hour
- All Viewers Solid Cast Brass



FIRE DOOR VIEWER

■ General Hardware



RCOR-52

UL ULC Listed surface mounted coordinator, 52" long housing for door range 54"-96". Available finish - aluminum

RCOR-60

UL ULC Listed surface mounted coordinator, 60" long housing for door range 97"-112". Available finish - aluminum

RP4016R

4"x16" pull plate with round pull, 2-1/8" projection, 16 gauge stainless steel, furnished with SST Phillips sheet metal screws

RP4016

4" X 16" push plate, 16 gauge stainless steel, furnished with sheet metal screws

RDG129

Solid Brass Safety Lock Door Guard, Positive projection lock ball not allowing forced entry, maximum 4" door opening when engaged, cannot be disengaged unless door is closed. US26D

General Hardware



RSH438



RSH446



RFL001



RSH406



RSH401



RH502



RDPS280

Fire Door Flushbolts

RSH446 3/16" Rise x 1-3/16" Low Dome Floor Stop, US26D

RSH438 1/2" Rise x 1-7/16" High Dome Floor Stop, US26D

RSH401 2-1/2" x 1" Concave Wall Stop, US32D

RSH406 2-1/2" x 1" Concave Wall Stop, US32D

RFL001 UL Listed auxiliary fire latch, temperature actuated

RH502 Heavy Duty Roller Catch, Adjustable Spring Tension, US26D

RDPS280 Dust Proof Strike, 3"x 1 1/2" faceplate, 2-1/4" overall Depth, US26D

■ REM2000 Series



Outside



Inside



Mortise Retrofit Trim Kit with Keypad

- Heavy duty mortise lock trim with keypad
- Retrofit exiting mechanical mortise lock of:
 - a) Corbin® ML2200 Series
 - b) Emhart® M Series
 - c) Dorma® ML9000, MK9000 and M9000 Series
 - d) Falcon® M and MA Series
 - e) Sargent®
 - f) TownSteel® MS Series
 - g) Best® 30H and 40H Series
 - h) Marks®
 - i) Schlage® L9000 Series
- Standalone keypad control trim, motorized
- Full indoor and outdoor application
- Retrofit passage and classroom functions only
- Change of existing cylinder or keying system not required
- Change of faceplate or strike not required

ANSI/BHMA	Designed to meet all requirements of A156.13 Grade 1
UL	Designed to meet UL 10C 3-hour rating
FCC	FCC part 15 certified
ADA	Designed to meet The Americans with Disabilities Act
BAA	Meets the Buy American Act
CSFH	Sentinel and Quest lever meet requirements of California State Reference Code



■ REM9000 Series



Mortise Retrofit Trim Kit with Keypad and Remote Lockdown Unit

- Heavy duty mortise lock trim with keypad and Remote Lockdown Unit
- Retrofit exiting mechanical mortise lock of:
 - a) Corbin® ML2200 Series
 - b) Emhart® M Series
 - c) Dorma® ML9000, MK9000 and M9000 Series
 - d) Falcon® M and MA Series
 - e) Sargent®
 - f) TownSteel® MS Series
 - g) Best® 30H and 40H Series
 - h) Marks®
 - i) Schlage® L9000 Series
- Standalone keypad control trim, motorized.
- Emergency Remote Lockdown Unit, 75 feet minimum operational distance
- Full indoor and outdoor application
- Retrofit passage and classroom functions only
- Change of existing cylinder or keying system not required
- Change of faceplate or strike not required

ANSI/BHMA Designed to meet all requirements of A156.13 Grade 1

UL Designed to meet UL 10C 3-hour rating

FCC FCC part 15 certified

ADA Designed to meet The Americans with Disabilities Act

BAA Meets the Buy American Act

CSFH Sentinel and Quest lever meet requirements of California State Reference Code



RETROFIT SOLUTIONS

REF2000 Series



Mortise Retrofit Trim Kit with RFID Keycard

- Heavy duty mortise lock trim with RFID keycard
- Retrofit existing mechanical mortise lock of:
 - a) Corbin® ML2200 Series
 - b) Emhart® M Series
 - c) Dorma® ML9000, MK9000 and M9000 Series
 - d) Falcon® M and MA Series
 - e) Sargent®
 - f) TownSteel® MS Series
 - g) Best® 30H and 40H Series
 - h) Marks®
 - i) Schlage® L9000 Series
- Standalone RFID keycard control trim, motorized.
- Full indoor and outdoor application
- Retrofit passage and classroom functions only
- Change of existing cylinder or keying system not required
- Change of faceplate or strike not required

ANSI/BHMA Designed to meet all requirements of A156.13 Grade 1

UL Designed to meet UL 10C 3-hour rating

FCC FCC part 15 certified

ADA Designed to meet The Americans with Disabilities Act

BAA Meets the Buy American Act

CSFH Sentinel and Quest lever meet requirements of California State Reference Code



REF3000 Series



Mortise Retrofit Trim Kit with RFID Keycard and Remote Open Unit

- Heavy duty mortise lock trim with RFID keycard and Remote Open Unit
- Retrofit exiting mechanical mortise lock of:
 - a) Corbin® ML2200 Series
 - f) TownSteel® MS Series
 - b) Emhart® M Series
 - g) Best® 30H and 40H Series
 - c) Dorma® ML9000, MK9000 and M9000 Series
 - h) Marks®
 - d) Falcon® M and MA Series
 - i) Schlage® L9000 Series
 - e) Sargent®
- Standalone RFID keycard control trim, motorized.
- Remote Open Unit, 75 feet minimum operational distance
- Full indoor and outdoor application
- Retrofit passage and classroom functions only
- Change of existing cylinder or keying system not required
- Change of faceplate or strike not required

- ANSI/BHMA** Designed to meet all requirements of A156.13 Grade 1
- UL** Designed to meet UL 10C 3-hour rating
- FCC** FCC part 15 certified
- ADA** Designed to meet The Americans with Disabilities Act
- BAA** Meets the Buy American Act
- CSFH** Sentinel and Quest lever meet requirements of California State Reference



RETROFIT SOLUTIONS

REF4000 Series



Mortise Retrofit Trim Kit with RFID Keycard and Remote Lockdown Unit

- Heavy duty mortise lock trim with RFID keycard and Remote Lockdown Unit
- Retrofit exiting mechanical mortise lock of:
 - a) Corbin® ML2200 Series
 - b) Emhart® M Series
 - c) Dorma® ML9000, MK9000 and M9000 Series
 - d) Falcon® M and MA Series
 - e) Sargent®
 - f) TownSteel® MS Series
 - g) Best® 30H and 40H Series
 - h) Marks®
 - i) Schlage® L9000 Series
- Standalone RFID keycard control trim, motorized.
- Remote Lockdown Unit, 75 feet minimum operational distance
- Full indoor and outdoor application
- Retrofit passage and classroom functions only
- Change of existing cylinder or keying system not required
- Change of faceplate or strike not required

ANSI/BHMA Designed to meet all requirements of A156.13 Grade 1

UL Designed to meet UL 10C 3-hour rating

FCC FCC part 15 certified

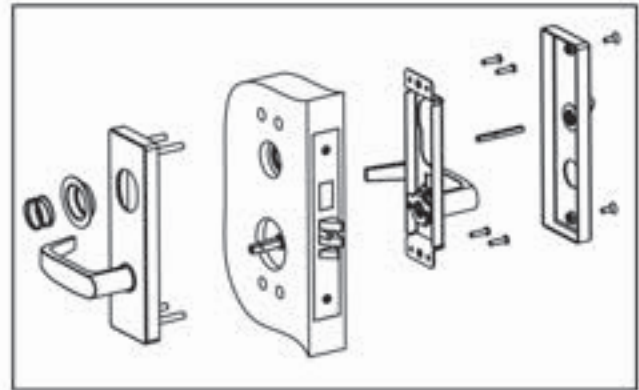
ADA Designed to meet The Americans with Disabilities Act

BAA Meets the Buy American Act

CSFH Sentinel and Quest lever meet requirements of California State Reference Code



■ RMU



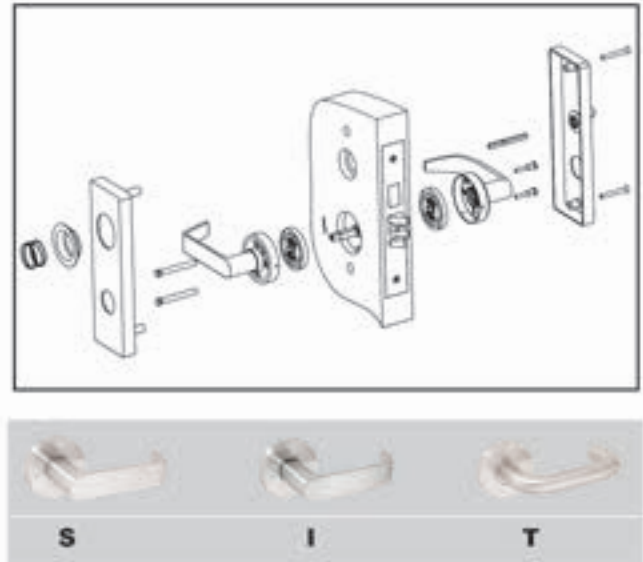
Retrofit Trim Kit for Cast Iron Mortise Chassis

- Heavy duty mortise lock trim
- Retrofit existing mortise lock with cast iron chassis
- Stainless steel or forged brass escutcheon, 8-1/2" X 2-3/4" X 5/8"
- Stainless steel or forged brass lever
- Change of existing key system not required
- Change of faceplate or strike not required

- ANSI/BHMA** Designed to meet all requirements of A156.13 Grade 1
- UL** Designed to meet UL 10C 3-Hour rating
- ADA** Designed to meet The Americans with Disabilities Act
- BAA** Meets The Buy American Act
- CSFH** All three lever designs meet requirements of California State Reference Code



RMT



Retrofit Trim Kit for Through-Bolt Mounting Mortise Chassis

- Heavy duty mortise lock trim
- Retrofit existing mortise lock:
 - a) Schlage® L9000 Series
 - b) Falcon® M Series
 - c) Falcon® MA Series
 - d) Best® 40H Series
 - e) Corbin® ML2000 Series
 - f) Sargent® 8200 Series
 - g) Yale® 8800 Series
 - h) Dorma® M9000 Series
 - i) TownSteel® MS Series
 - j) PDQ® MR Series
 - k) Yale® 8700 Series
- Stainless steel or forged brass Escutcheon, 8-1/2" X 2-3/4" X 5/8"
- Stainless steel or forged brass lever
- Change of existing key system not required
- Change of faceplate or strike not required

ANSI/BHMA Designed to meet all requirements of A156.13 Grade 1

UL Designed to meet UL 10C 3-Hour rating

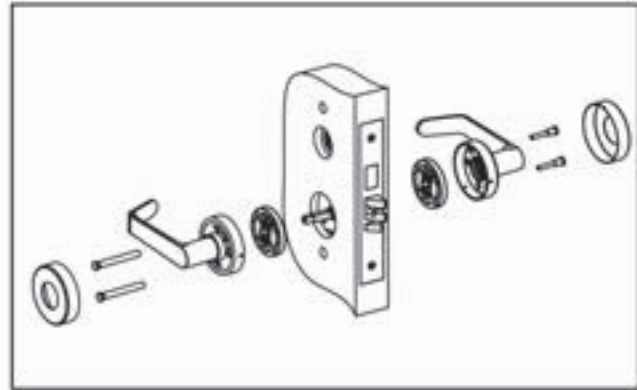
ADA Designed to meet The Americans with Disabilities Act

BAA Meets The Buy American Act

CSFH All three lever designs meet requirements of California State Reference Code



RMS



Retrofit Trim Kit for Through- Bolt Mounting Mortise Chassis

- Heavy duty mortise lock trim
- Retrofit existing mortise lock:
 - a) Schlage® L9000 Series b) Falcon® M Series
 - c) Falcon® MA Series d) Best® 40H Series
 - e) Corbin® ML2000 Series f) Sargent® 8200 Series
 - g) Yale® 8800 Series h) Dorma® M9000 Series
 - i) TownSteel® MS Series j) PDQ® MR Series
- Stainless steel or forged brass rose, 2-1/2" X 5/8"
- Stainless steel or forged brass lever
- Change of existing key system not required
- Change of faceplate or strike not required

- ANSI/BHMA** Designed to meet all requirements of A156.13 Grade 1
- UL** Designed to meet UL 10C 3-Hour rating
- ADA** Designed to meet The Americans with Disabilities Act
- BAA** Meets The Buy American Act
- CSFH** All three lever designs meet requirements of California State Reference Code



RETROFIT SOLUTIONS

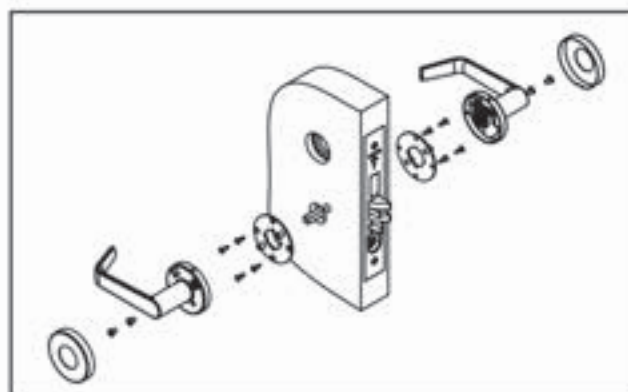
■ RMF



Outside



Inside



Retrofit Trim Kit for Cast Iron Mortise Chassis

- Heavy duty mortise lock trim
- Retrofit existing mortise lock with cast iron chassis
- Applicable for solid core wood door with 1-3/4" minimum door thickness
- Stainless steel or forged brass rose, 2-1/2" x 5/8"
- Stainless steel or forged brass lever
- Change of existing key system not required
- Change of faceplate or strike not required

ADA Designed to meet The Americans with Disabilities Act

BAA Meets The Buy American Act

CSFH All three lever designs meet requirements of California State Reference Code



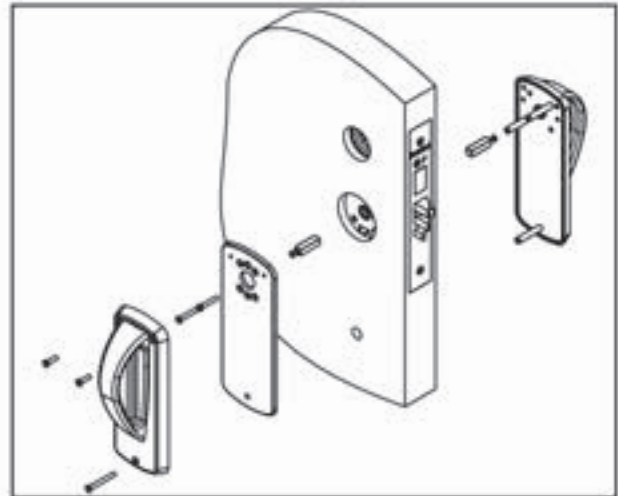
■ RRXA



Outside



Inside



Ligature Resistant Retrofit Trim Kit

- Heavy duty 5-point ligature resistant mortise lock trim
- Retrofit existing mortise lock:
 - a) Schlage® L9000 Series b) Falcon® M Series
 - c) Falcon® MA Series d) Best® 40H Series
 - e) Corbin® ML2000 Series f) Sargent® 8200 Series
 - g) Yale® 8800 Series h) Dorma® M9000 Series
 - i) TownSteel® MS Series j) PDQ® MR Series
 - k) Yale® 8700 Series
- Stainless steel plate, 7-1/2" x 2-3/4" x 1/2"
- Stainless steel arch pull, 2-5/8" projection
- Change of existing key system not required
- Change of faceplate or strike not required

ANSI/BHMA Designed to meet all requirements of A156.13 Grade 1

UL Designed to meet UL 10C 3-Hour rating

ADA Designed to meet The Americans with Disabilities Act

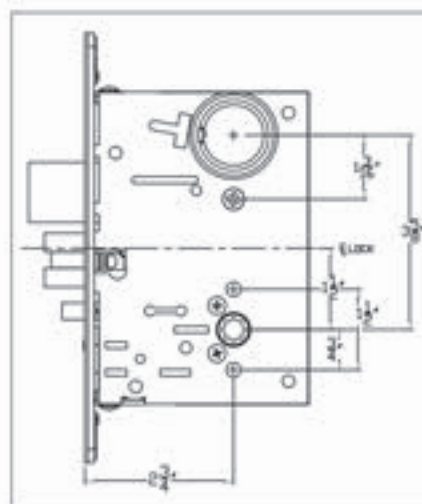
BAA Meets The Buy American Act

CSFH Meets requirements of California State Reference Code



RETROFIT SOLUTIONS

RC



Corbin® Mortise Retrofit Kit

- Heavy duty ANSI/BHMA A156.13-2012 Grade 1 mortise chassis
- Retrofit Corbin® ML2000 and PDQ® MR Series mortise chassis
- Heavy gage steel lock case, clear zinc plated
- Stainless steel deadbolt, anti-saw, 1" projection
- Stainless steel latch bolt, anti-friction, 3/4" projection
- Stainless steel guard bolt
- Stainless steel toggle type stop works
- ASA strike, faceplate and mounting screws included
- 2-3/4" back set
- Field reversible handing without opening lock case
- Change of keying system not required
- Available ANSI function: F-01, 02, 04, 05, 06, 07, 08, 09, 13, 14, 15, 16, 19, 20, 21, 22, 29, 30, 31, 32, 33, 35
- Available Finish: 626, 630, 625, 629, 606, 605, 613

ANSI/BHMA A156.13-2012 Grade 1 certified

UL UL 10C 3-Hour rated

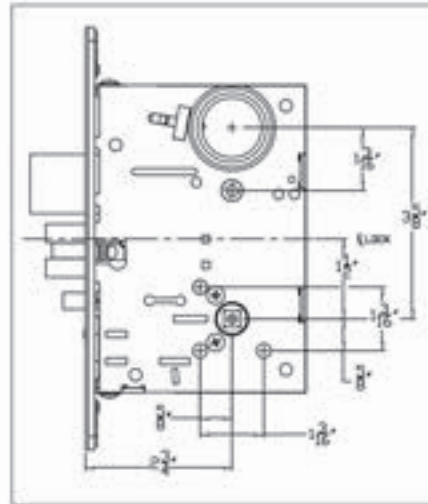
ADA Designed to meet guidelines of The Americans with Disabilities Act

BAA Meets requirements of The Buy American Act

RoHS Meets requirements of EU RoHS Directive 2002/95/EC



■ RB



Best[®] Mortise Retrofit Kit

- Heavy duty ANSI/BHMA A156.13-2012 Grade 1 mortise chassis
- Retrofit Best[®] H Series mortise chassis
- Heavy gage steel lock case, clear zinc plated
- Stainless steel deadbolt, anti-saw, 1" projection
- Stainless steel latch bolt, anti-friction, 3/4" projection
- Stainless steel guard bolt
- Stainless steel toggle type stop works
- ASA strike, faceplate and mounting screws included
- 2-3/4" back set
- Field reversible handing without opening lock case
- Change of keying system not required
- Available ANSI function: F-01, 02, 04, 05, 07, 08, 09, 13, 14, 15, 16, 19, 20, 21, 22, 29, 30, 31, 32, 33, 35
- Available Finish: 626, 630, 625, 629, 606, 605, 613

ANSI/BHMA A156.13-2012 Grade 1 certified

UL UL 10C 3-hour rated

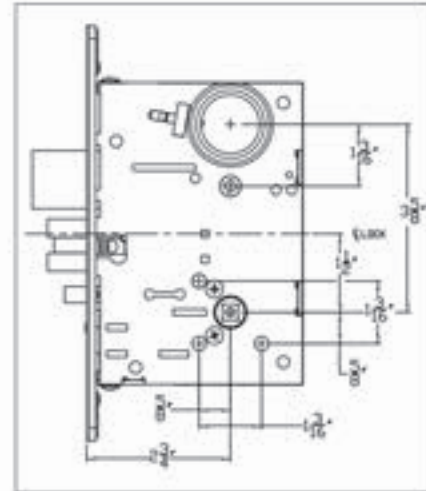
BAA Meets guidelines of The Buy American Act

RoHS Meets requirements of EU RoHS Directive 2002/95/EC



RETROFIT SOLUTIONS

■ TS



Arrow^{®**} Mortise Retrofit Kit

- Heavy duty ANSI/BHMA A156.13-2012 Grade 1 mortise chassis
- Retrofit Arrow[®] and Cal Royal[®] M Series Mortise Chassis
- Heavy gage steel lock case, clear zinc plated
- Stainless steel deadbolt, anti-saw, 1" projection
- Stainless steel latch bolt, anti-friction, 3/4" projection
- Stainless steel guard bolt
- Stainless steel toggle type stop works
- ASA strike, faceplate and mounting screws included
- 2-3/4" back set
- Field reversible handing without opening lock case
- Change of keying system not required
- Available ANSI function: F-01, 02, 04, 05, 06, 07, 08, 09, 11, 13, 14, 15, 16, 19, 20, 21, 22, 29, 30, 31, 32, 33, 35
- Available Finish: 626, 630, 625, 629, 606, 605, 613

ANSI/BHMA A156.13-2012 Grade 1 certified

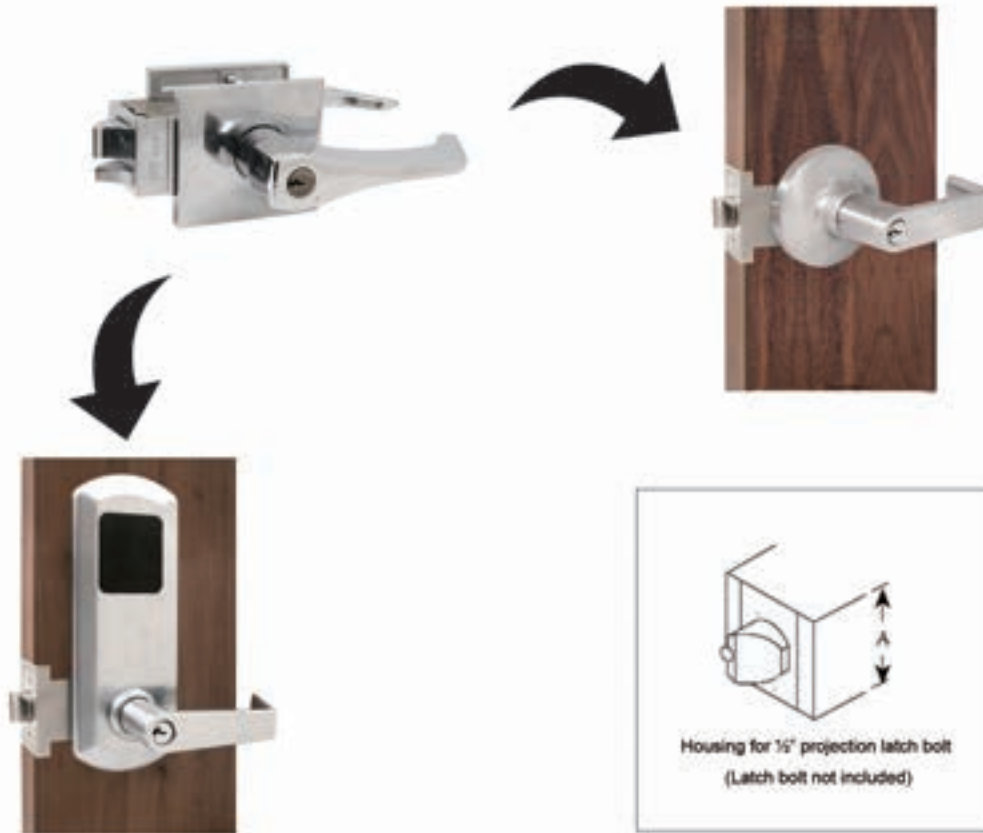
UL UL 10C 3-Hour rated

BAA Meets requirements of The Buy American Act

RoHS Meets requirements of EU RoHS Directive 2002/95/EC



■ RCU200



Unit Lock Retrofit Kit

- Heavy duty retrofit kit to convert pre-assembled unit lock to cylindrical lock
- Retrofit Corbin® UT5200 and Falcon® RU/RW Series
- Stainless steel latch bolt housing
- Stainless steel mounting screws for wood and metal doors
- "A" can be 1-3/4", 2-1/16", 2-5/8" and 2-11/16"
- Retrofit kit works with mechanical or digital cylindrical locks made by RetroLock. Lock sold separately
- Consult factory for feasibility of other brand cylindrical locks



17915 Railroad Street, City of Industry, CA 91748 Email: sales@retrolock.com
Technical Support: 844-275-8306 Office: (626) 269-6827 Fax: (626) 965-2819
www.retrolock.com